

PARTS LIST

[RV-B550BU]

* All printed circuit boards and its assemblies are not available as service parts.

Area suffix

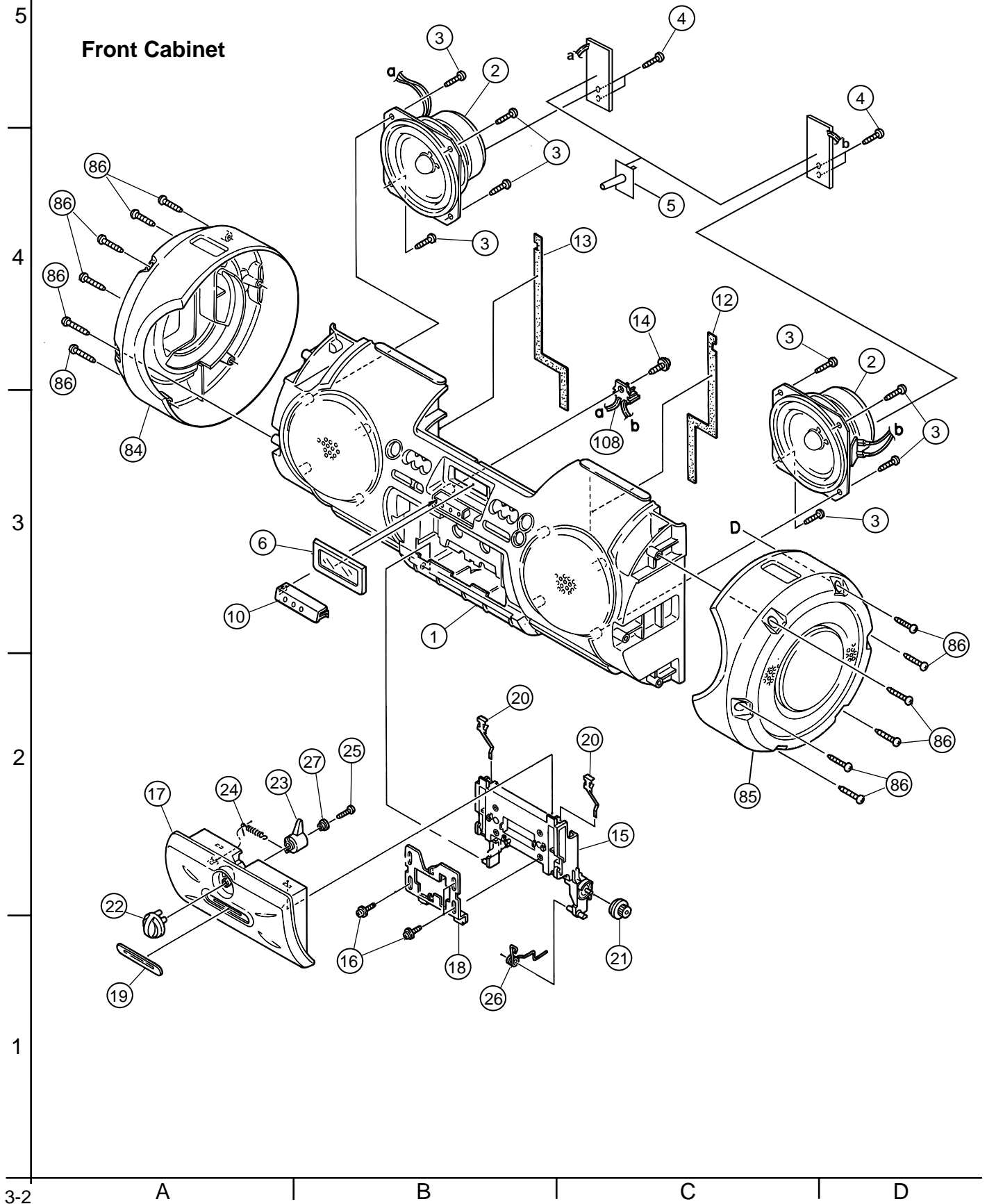
UY ----- Argentina

- Contents -

Exploded view of general assembly and parts list	3- 2
CD mechanism assembly and parts list	3- 7
Cassette mechanism assembly and parts list	3- 8
Electrical parts list	3-13
Packing materials and accessories parts list	3-24

Exploded view of general assembly and parts list

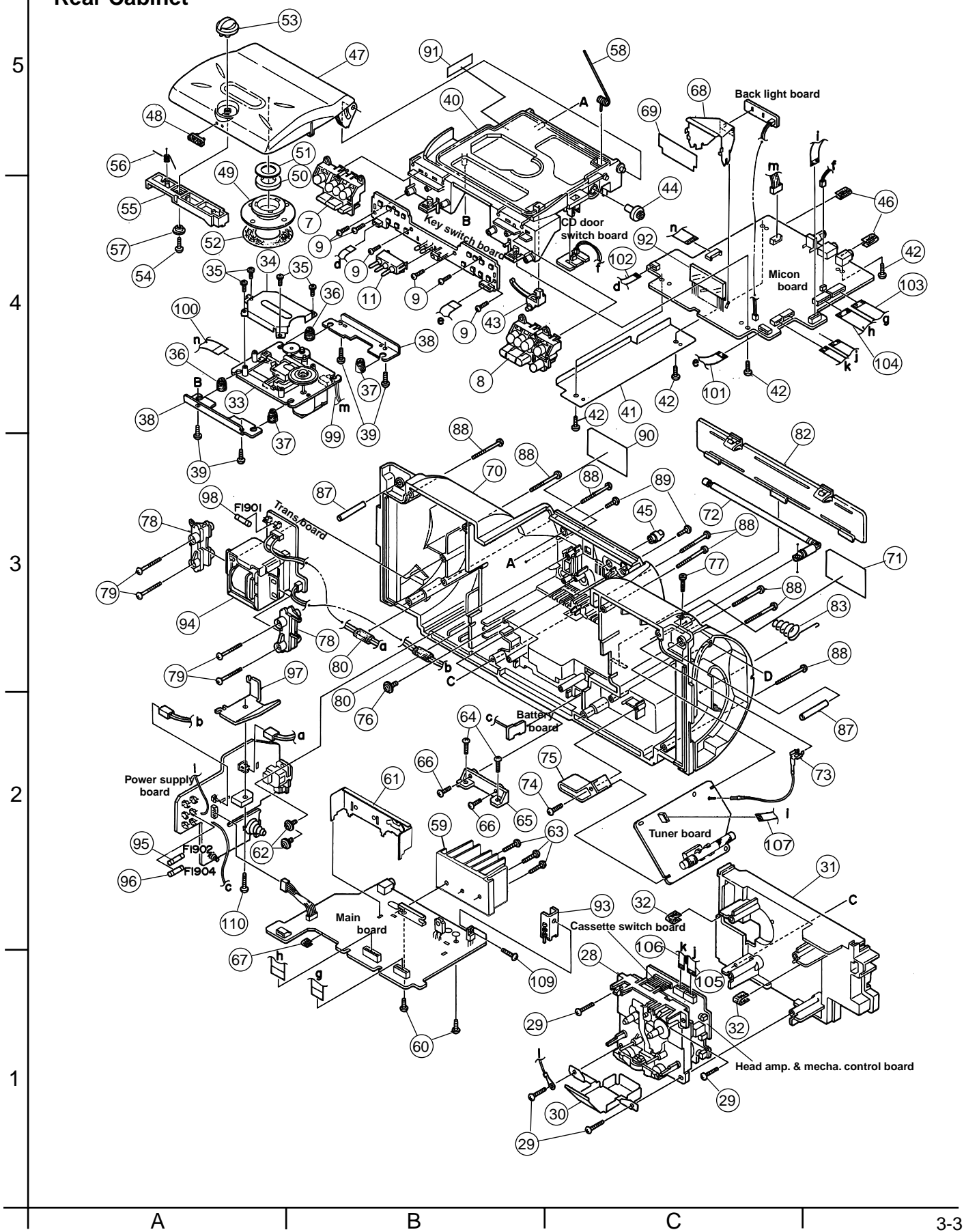
Block No. M 1 M M



Exploded view of general assembly and parts list

Block No. M 1 M M

Rear Cabinet



Parts list(General assembly)

Block No. M1MM

△	Item	Parts number	Parts name	Q'ty	Description	Area
	1	LV10160-012A	FRONT CABI ASSY	1	H.F.WELDING	
	2	LE10010-012A	SPEAKER	2	L/R	
	3	QYSBSF3010Z	SCREW	8	FOR SPK.	
	4	QYSBST3006Z	T.SCREW	4	SPK+LED PWB	
	5	LV41752-001A	SPK.LED HOLDER	2		
	6	VJK4520-081	LCD LENS	1	AS SILK X 1	
	7	LV20331-001A	POWER BUTTON	1		
	8	LV20332-001A	VOLUME BUTTON	1		
	9	QYSBSF2610Z	SCREW	6	BUTTON + SW PWB	
	10	LV40715-002A	LENS	1	AS PAD X 1	
	11	LV40716-002A	LED HOLDER	1	ABS	
	12	LV40750-001A	PACKING SHEET L	1	PEFU(FRONT CABI	
	13	LV40751-001A	PACKING SHEET R	1	PEFU(FRONT CABI	
	14	QYSBSFG3010Z	TAP SCREW	1	SPK.CON+FRONT	
	15	LV20298-003A	CASSETTE HOLDER	1	MIPS	
	16	VKZ4794-002	SPECIAL SCREW	3	EJECT SAFTY	
	17	LV20299-005A	DOOR COVER	1		
	18	LV30844-001A	EJECT SAFTY	1	CASS HOLDER	
	19	LV40717-003A	DOOR LENS	1	PC SILK X 2	
	20	VKY4180-001	CASSETTE SPRING	2	SUS	
	21	VYH5601-001	GEAR	1	POM	
	22	LV40718-001A	EJECT KNOB	1	ABS	
	23	LV40719-001A	CAM(CASS)	1	POM	
	24	LV40749-001A	TENSION SPRING	1	CAM + DOOR COVE	
	25	QYSDSF2614Z	SCREW	1	E.KNOB + CAM	
	26	LV40721-001A	DOOR SPRING	1	SUS T1.0	
	27	LV40720-002A	COLLAR (CASS)	1	SLIDER + D.COVE	
	28	-----	SLC MECHA ASS'Y	1		
	29	QYSBSF3014Z	SCREW	4	FOR SLC	
	30	LV30845-001A	HEAD SHIELD	1	SPT T 0.4	
	31	LV10192-001A	CASS CHASSIS	1	MIPS	
	32	VYSA1R6-080	SPACER	2	FOR CASS CHASSI	
	33	-----	EXL-M6MAYPM	1		
	34	VJD5410-205	PICK COVER	1		
	35	QYSDSF2006M	SCREW	4		
	36	VKZ4791-001	INSULATOR	2		
	37	VKZ4791-001	INSULATOR	2		
	38	LV40723-001A	CD MECHA HOLDER	2	EGC T1.0	
	39	QYSBSF3010Z	SCREW	4	FOR HOLDER	
	40	LV10162-009A	CD CASE	1	MIPS	
	41	LV31305-001A	SHIELD	1	FOR CD CASE	
	42	QYSBSF3010Z	SCREW	4	FOR MICON PWB	
	43	LV40726-001A	LOCK LEVER	1	POM	
	44	VYH4769-002SS	GEAR	1	FOR CD CASE	
	45	VXL4442-001	VOLUME KNOB	1	MIC VOLUME	
	46	VYSA1R6-080	SPACER	2	FOR MICON PWB	
	47	LV10163-008A	CD DOOR	1		
	48	PQ45130-7	JVC MARK	1	FOR CD DOOR	

Parts list(General assembly)

Block No. M1MM

△	Item	Parts number	Parts name	Q'ty	Description	Area
	49	VYH3644-201	CLAMPER	1	FOR OPTIMA-6	
	50	VYH7313-003	MAGNET	1		
	51	VYH7314-001	YOKE	1		
	52	VYH7315-005	PAD	1		
	53	LV40718-001A	EJECT KNOB	1	ABS	
	54	QYSBSF2610Z	SCREW	1	E.KNOB + SLIDER	
	55	LV30846-001A	SLIDER (CD)	1	POM	
	56	LV40725-001A	TORSION SPRING	1	FOR SLIDER	
	57	LV40728-002A	COLLAR (CD)	1		
	58	LV40729-002A	CD DOOR SPRING	1	SUS	
	59	LV30847-001A	HEAT SINK(A)	1	AL T2.0	
	60	QYSBSF3012Z	SCREW	2	HEAT SINK(A)+PW	
	61	LV30848-001A	HEAT SINK(B)	1		
	62	E65923-003	TAPPING SCREW	2	FOR AC	
	63	QYSBSF3012Z	SCREW	3	FOR POWER IC	
	64	QYSBSF3012Z	SCREW	2	H.SINK(A)+BKT.	
	65	LV40730-001A	HEAT SINK BKT	1	FOR HEAT SINK	
	66	QYSBSF3010Z	SCREW	2	REAR + H.BKT.	
	67	VYSA1R6-080	SPACER	1	FOR AMP PWB	
	68	LV30849-001A	LCD HOLDER	1	SPT E T0.4	
	69	VYH8193-002	SHEET	1	LCD + LCD HOLDE	
	70	LV10164-030A	REAR CABINET	1	MIPS	
	71	VND4118-004	CAUTION LABEL	1	FOR REAR	
	72	FMJA3001-00A(D)	ROD ANT ASS'Y	1		
	73	VYH5012-006	TERMINAL LUG	1	SPT E T0.4	
	74	QYSBSF3012Z	SCREW	1	TUNER HOLDER+RE	
	75	LV41032-001A	TUNER HOLDER	1		
	76	E65923-003	TAPPING SCREW	1	FOR H.PHONES	
	77	QYSDSP3012N	SCREW	1	FOR ROD ANT	
	78	VYH8101-001	TRANS SUPPORT	2	POM	
	79	QYSBSF3030Z	SCREW	4	FOR TRANS	
	80	LV30225-021A	SPACER	2	TRANS WIRE	
	82	VJC2016-341	BATTERY COVER	1	MIPS	
	83	VYH5657-001	BATTERY SPRING	1		
	84	LV10165-005A	SIDE PROT.ASY L	1		
	85	LV10166-005A	SIDE PROT.ASY R	1		
	86	QYSBSF3012N	SCREW	12	FOR SIDE PROTEC	
	87	VKH3012-073	SHAFT(E)	2	REAR(S.BELT)	
	88	QYSBSF3040Z	SCREW	8	FRONT+REAR	
	89	QYSBSF3010Z	SCREW	2	CD CASE + REAR	
△	90	LV31998-004A	NAME PLATE	1		
	91	LV40231-001A	CAUTION LABEL	1		
	92	QLD0024-002	L.C.DISPL.PANEL	1		
	93	E70306-001	HEAT SINK	1		
△	94	QQT0247-004	POWER TRANS	1		
△	95	QMF51E2-4R0-J1	FUSE	1	F1902	
△	96	QMF51E2-6R3-J1	FUSE	1	F1904	
	97	LV41029-001A	HEAT SINK	1		

Parts list(General assembly)

Block No. M1MM

▲	Item	Parts number	Parts name	Q'ty	Description	Area
	98	QMF51E2-R80-J1	FUSE	1	F1901	
	99	QJJ010-060606	SIN CR C-C WIRE	1		
	100	QUQ610-1508AJ	FFC WIRE	1		
	101	QUQC12-0806CJ	FFC WIRE	1		
	102	QUQC12-1006CJ	FFC WIRE	1		
	103	QUQ412-1313CJ	FFC WIRE	1		
	104	QUQ412-1415CJ	FFC WIRE	1		
	105	QUQ412-1012DJ	FFC WIRE	1		
	106	QUQ412-0914DJ	FFC WIRE	1		
	107	QUQ412-0912CJ	FFC WIRE	1		
	108	WJJ0034-010A	E-SI C WIRE C-C	1		
	109	QYSBSSF3010Z	SCREW	1		
	110	QYSBSF3014Z	SCREW	1		

CD mechanism assembly and parts list

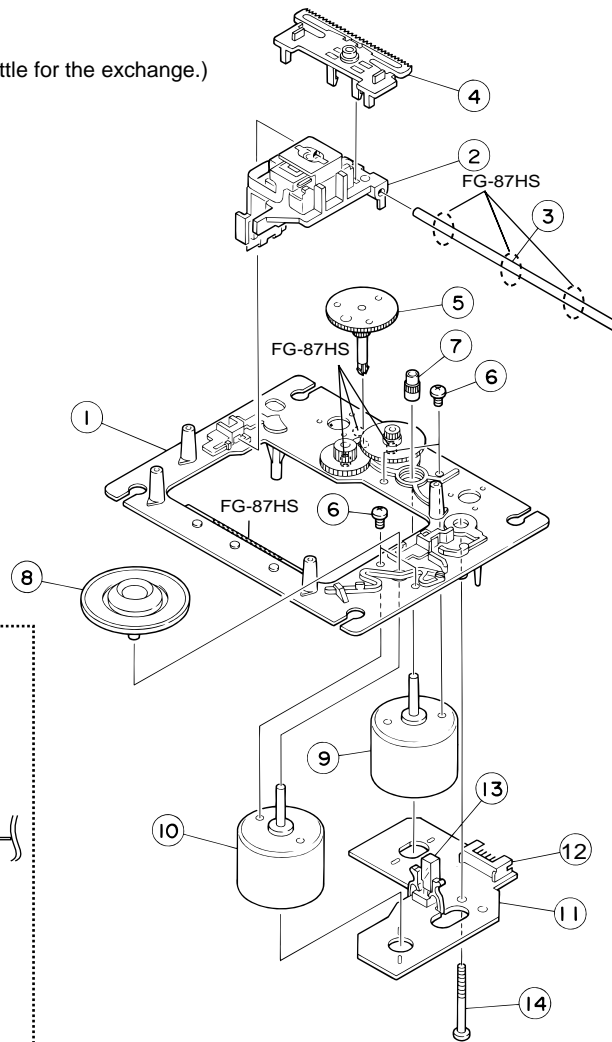
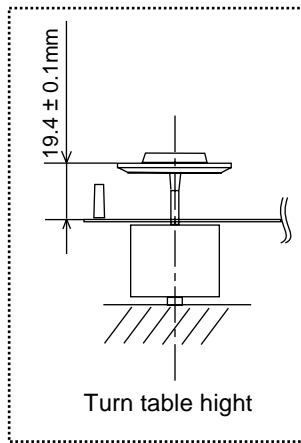
Block No. M 2 M M

Grease Point
 FG-87HS
 (Grease to apply have to be a little for the exchange.)

3

2

1



EXL-M7TMB
 EXL-M7MB

A

B

C

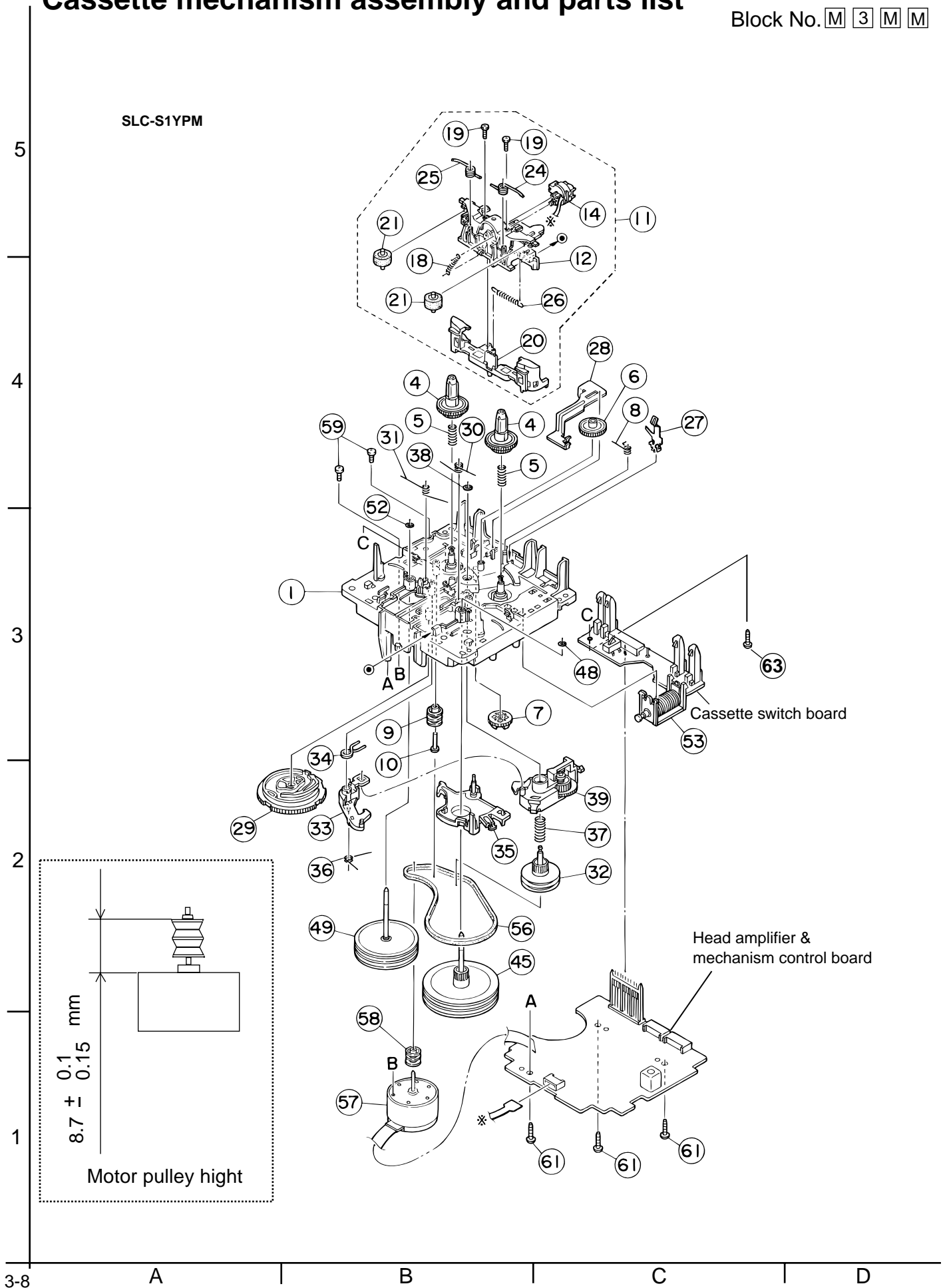
Parts list (CD mechanism)

Block No. M2MM

⚠	Item	Parts number	Parts name	Q'ty	Description	Area
	1	E102731-221SM	MECHA BASE	1		
	2	OPTIMA-7B	OPTICAL PICK UP	1		
	3	E406777-002SM	CD SHAFT	1		
	4	LV31002-001A	CD RACK	1		
	5	E307745-441SM	MECHA GEAR	1		
	6	QYSDSP2003N	SCREW	4		
	7	E406750-442SM	PINION GEAR	1		
	8	EPB-001PK	TURN TABLE	1	SINGLE CD	
		EPB309173PKA	TURN TABLE	1	CHANGER CD	
	9	E406784-001	FEED MOTOR	1		
	10	QAR0130-001	SPPINDLE MOTOR	1		
	11	EMW10190-441	P.C.BOARD	1		
	12	QGA2001F1-06	6P PLUG ASSY	1		
	13	QSW0506-001	LEAF SWITCH	1		
	14	E75832-221SS	SPECIAL SCREW	1		

Cassette mechanism assembly and parts list

Block No. M 3 M M



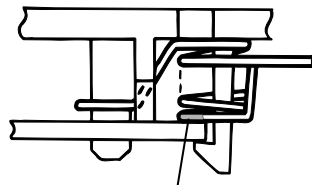
Parts list(Cassette mechanism)

Block No. M3MM

△	Item	Parts number	Parts name	Q'ty	Description	Area
	1	VKS1165-00G	CHASSIS B.ASS'Y	1		
	4	VKS2274-002	REEL GEAR	2		
	5	VKW5286-002	B.T. SPRING	2		
	6	VKS5559-001	PLAY IDLE GEAR	1		
	7	VKS5597-00A	BUND ASS'Y	1		
	8	VKW5296-001	EARTH SPRING	1		
	9	VKR4749-003	IDLE PULLEY	1		
	10	VKH5786-003	SHAFT	1		
	11	VKS2275-00E	HEAD MOUNT ASSY	1		
	12	VKS1167-003	HEAD MOUNT BASE	1		
	14	LV41089-001A	R/P&E HEAD	1	VKS2275-00B	
	18	VKW5302-001	HEAD SPRING	1		
	19	VKZ4730-001	SPECIAL SCREW	2		
	20	VKS2277-005	DIRECTION LEVER	1		
	21	VKP4233-00A	PINCH ROL. ASSY	2		
	24	VKW5299-002	PIN ROL.SP.(R)	1		
	25	VKW5300-002	PIN ROL.SP.(L)	1		
	26	VKW5285-001	RETURN SPRING	1		
	27	VKY3149-002	CASSETTE SP.	1		
	28	VKM3906-002	PLAY SW LEVER	1		
	29	VKS1166-003	CONTROL CAM	1		
	30	VKW5279-001	HEAD BASE SP(R)	1		
	31	VKW5280-001	HEAD BASE SP(L)	1		
	32	VKS5603-00D	MAIN PULLEY ASY	1		
	33	VKS3785-001MM	FR ARM	1		
	34	VKW5284-002	SWING SPRING	1		
	35	VKS2278-003	TRIGGER ARM	1		
	36	VKW5301-001	FR SPRING	1		
	37	VKW5266-001	ELEVATOR SPRING	1		
	38	WDL214025	WASHER	1		
	39	VKS3786-00G	CLUTCH ASS'Y	1		
	45	VKF3205-00B	F.WHEEL ASSY(R)	1		
	48	WDL183425	SLIT WASHER	1		
	49	VKF3207-00B	F.WHEEL ASSY(L)	1		
	52	WDL173525-6	SLIT WASHER	1		
	53	VKZ3174-00A	DC SOLENOID	1		
	56	VKB3000-181	CAPSTAN BELT	1		
	57	MSI-5U2LWA	D.C.MOTOR ASS'Y	1		
	58	VKR4761-001	MOTOR PULLEY	1		
	59	QYSPSP2604Z	SCREW	2		
	61	QYSBSF2608Z	T.SCREW	3	FOR P.W.B.	
	63	QYSBSF2006Z	SCREW	1		

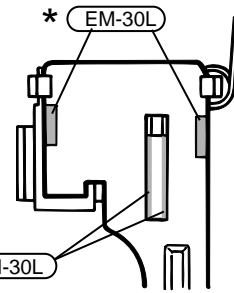
Grease point 1/3

- Grease
- * EM-30L
 - UD-24
 - ◆ LEN-320M



* EM-30L

Fig.1



* EM-30L

Fig.2

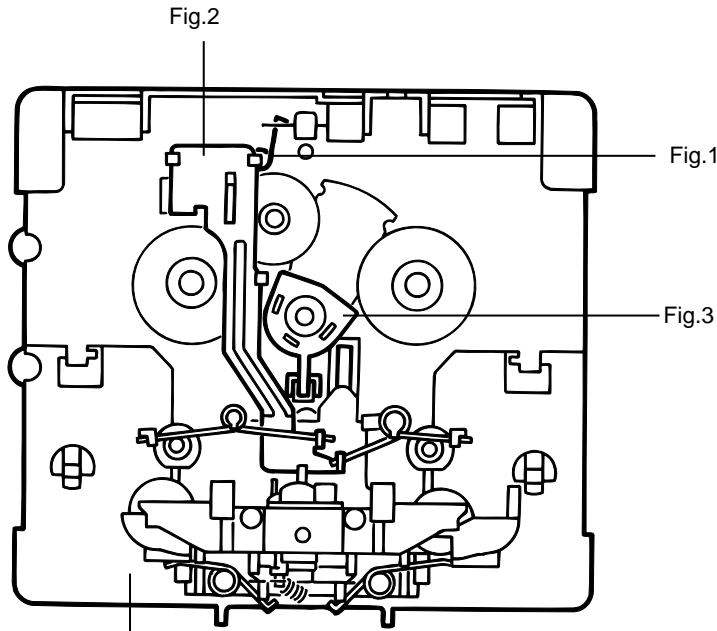


Fig.4

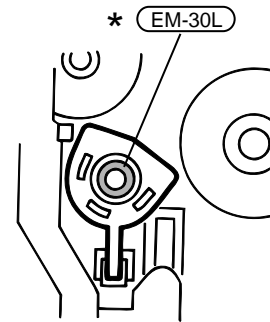
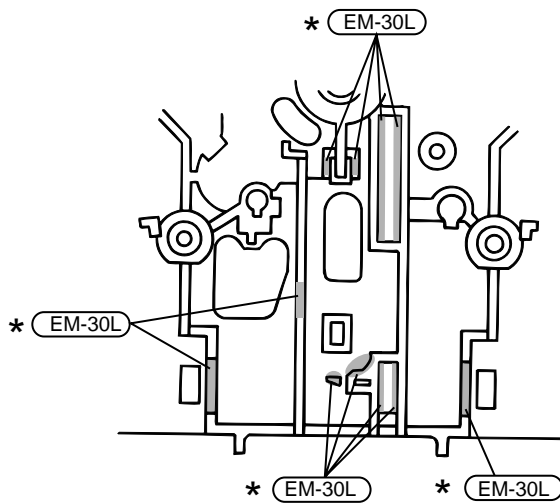


Fig.3



* EM-30L

* EM-30L

* EM-30L

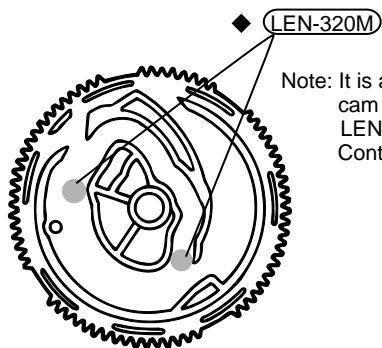
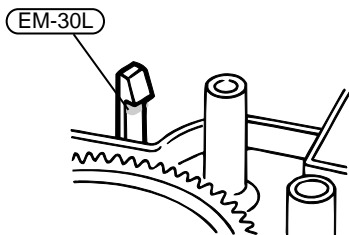
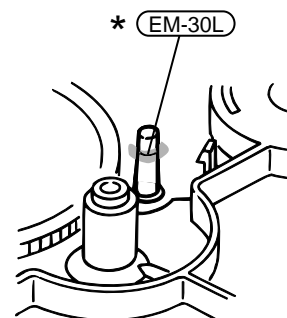
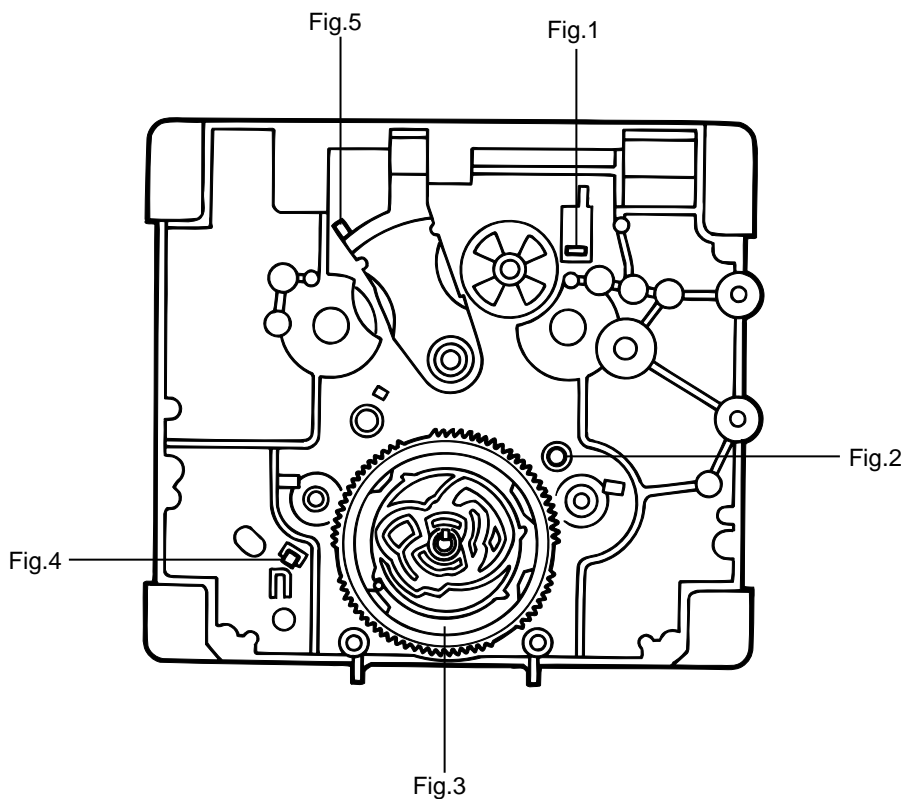
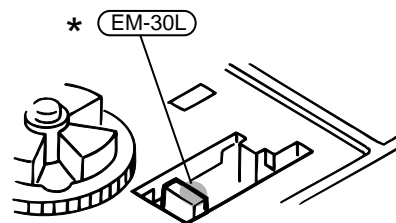
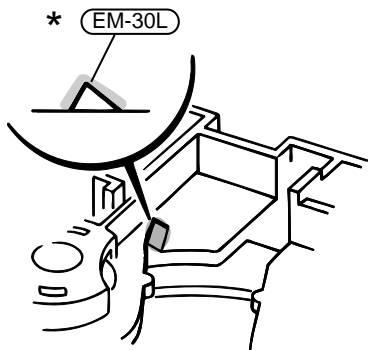
* EM-30L

Fig.4

(Remove the Head mount Ass'y on the Chasis Base)

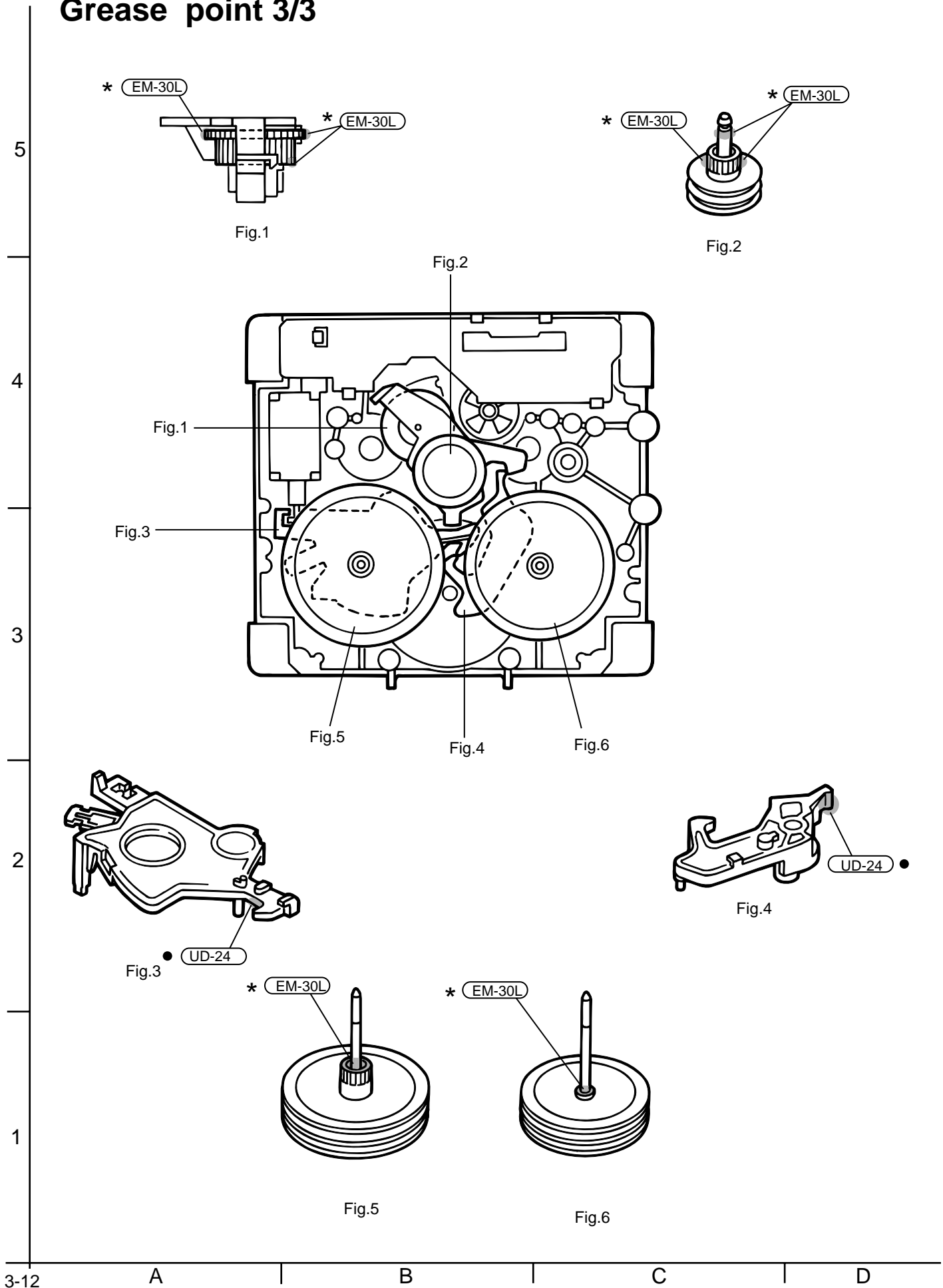
Grease point 2/3

5
4
3
2
1



Note: It is a putting up of the control cam to UD-24H(Hanarl) and LEN-320M(Grease)dipping on the Control cam

Grease point 3/3



Electrical parts list

Electrical parts list(Micon board)
Block No. 01

Item	Parts number	Parts name	Remarks	Area	Item	Parts number	Parts name	Remarks	Area
C 604	QEK1AM-107Z	E CAPACITOR	100MF 20% 10V		C3362	QER61EM-475Z	E CAPACITOR	4.7MF 20% 25V	
C 605	QETN1HM-106Z	E CAPACITOR	10MF 20% 50V		C3571	QER41CM-476	E CAPACITOR	47MF 20% 16V	
C 606	NCB21HK-102X	C CAPACITOR			C4142	NCS21HJ-100X	C CAPACITOR		
C 607	NCB21HK-102X	C CAPACITOR			C4143	QER61EM-475Z	E CAPACITOR	4.7MF 20% 25V	
C 608	QETN1HM-105Z	E CAPACITOR	1.0MF 20% 50V		C4144	QER61EM-475Z	E CAPACITOR	4.7MF 20% 25V	
C 609	NCS21HJ-101X	C CAPACITOR			C4145	QTE1V06-106Z	E CAPACITOR		
C 610	QFLM1HJ-273Z	M CAPACITOR	.027MF 5% 50V		C4151	NCB21HK-681X	C CAPACITOR		
C 611	NCB21HK-472X	C CAPACITOR			C4242	NCS21HJ-100X	C CAPACITOR		
C 612	NCB21HK-103X	C CAPACITOR			C4243	QER61EM-475Z	E CAPACITOR	4.7MF 20% 25V	
C 613	NCS21HJ-331X	C CAPACITOR			C4244	QER61EM-475Z	E CAPACITOR	4.7MF 20% 25V	
C 614	QFVF1HJ-104Z	TF CAPACITOR	.10MF 5% 50V		C4245	QTE1V06-106Z	E CAPACITOR		
C 615	NCB21HK-223X	C CAPACITOR			C4251	NCB21HK-681X	C CAPACITOR		
C 616	NCB21HK-223X	C CAPACITOR			C4341	QER41CM-476	E CAPACITOR	47MF 20% 16V	
C 617	NCB21HK-223X	C CAPACITOR			C4342	QER61CM-107Z	E CAPACITOR	100MF 20% 16V	
C 618	NCB21HK-222X	C CAPACITOR			C4343	NCS21HJ-151X	C CAPACITOR		
C 619	NCS21HJ-271X	C CAPACITOR			C4344	QER61EM-475Z	E CAPACITOR	4.7MF 20% 25V	
C 620	NCS21HJ-181X	C CAPACITOR			C7351	QETN1HM-226Z	E CAPACITOR	22MF 20% 50V	
C 622	QETN1EM-476Z	E CAPACITOR	47MF 20% 25V		C7352	QETN1HM-226Z	E CAPACITOR	22MF 20% 50V	
C 623	QFVF1HJ-104Z	TF CAPACITOR	.10MF 5% 50V		C7353	NCS21HJ-390X	C CAPACITOR		
C 628	QDX31EM-473Z	C CAPACITOR			C7354	QETN1HM-335Z	E CAPACITOR	3.3MF 20% 50V	
C 629	QETN1AM-107Z	E CAPACITOR	100MF 20% 10V		C7355	QER61HM-474Z	E CAPACITOR	.47MF 20% 50V	
C 631	QETN1AM-477Z	E CAPACITOR	470MF 20% 10V		C7356	QETN1HM-336Z	E CAPACITOR	33MF 20% 50V	
C 632	QEK1AM-107Z	E CAPACITOR	100MF 20% 10V		C7357	QETN1HM-335Z	E CAPACITOR	3.3MF 20% 50V	
C 640	NCB21HK-822X	C CAPACITOR			C7358	QETN1HM-475Z	E CAPACITOR	4.7MF 20% 50V	
C 641	NCB21HK-223X	C CAPACITOR			C9001	NCS21HJ-220X	C CAPACITOR	SUB CLOCK	
C 651	NCS21HJ-270X	C CAPACITOR			C9002	NCS21HJ-220X	C CAPACITOR	SUB CLOCK	
C 652	NCS21HJ-270X	C CAPACITOR			C9003	NCS21HJ-151X	C CAPACITOR	BEAT	
C 653	NCB21HK-223X	C CAPACITOR			C9004	NCS21HJ-471X	C CAPACITOR		
C 655	QDX31EM-473Z	C CAPACITOR			C9005	NCS21HJ-240X	C CAPACITOR	MAIN CLOCK	
C 661	NCS21HJ-471X	C CAPACITOR			C9006	NCS21HJ-240X	C CAPACITOR	MAIN CLOCK	
C 662	NCB21HK-223X	C CAPACITOR			C9007	NCS21HJ-360X	C CAPACITOR	MAIN CLOCK	
C 663	QFLM1HJ-223Z	M CAPACITOR	.022MF 5% 50V		C9008	NCS21HJ-360X	C CAPACITOR	MAIN CLOCK	
C 664	NCB21HK-223X	C CAPACITOR			C9009	NCB21HK-103X	C CAPACITOR	VDD	
C 665	QFVF1HJ-104Z	TF CAPACITOR	.10MF 5% 50V		C9011	NCB21HK-103X	C CAPACITOR	RESET	
C 671	NCB21HK-222X	C CAPACITOR			C9012	QER61HM-226Z	E.CAPACITOR	22MF 20% 50V	
C 672	NCB21HK-222X	C CAPACITOR			C9013	NCS21HJ-151X	C CAPACITOR		
C 673	QTE1A28-227Z	E CAPACITOR			C9015	NCS21HJ-151X	C CAPACITOR		
C 674	NCB21HK-223X	C CAPACITOR			C9016	NCS21HJ-151X	C CAPACITOR		
C 675	NCB21HK-102X	C CAPACITOR	AG-DG		C9017	NCS21HJ-151X	C CAPACITOR		
C 691	NCS21HJ-151X	C CAPACITOR	DENGEN NOISE		C9018	QER41AM-107	E CAPACITOR	100MF 20% 10V	
C 692	NCS21HJ-151X	C CAPACITOR	DENGEN NOISE		C9019	QER61HM-106Z	E CAPACITOR	BASS	
C 693	NCS21HJ-151X	C CAPACITOR	DENGEN NOISE		C9020	QER61HM-106Z	E CAPACITOR	TRE	
C 694	NCS21HJ-151X	C CAPACITOR	DENGEN NOISE		C9021	QER61HM-106Z	E CAPACITOR	10MF 20% 50V	
C 696	NCS21HJ-101X	C CAPACITOR			C9022	NCB21HK-103X	C CAPACITOR	AVREF	
C 697	NCS21HJ-101X	C CAPACITOR			C9023	NCS21HJ-151X	C CAPACITOR		
C 698	NCS21HJ-101X	C CAPACITOR			C9024	NCS21HJ-101X	C CAPACITOR		
C 699	NCS21HJ-101X	C CAPACITOR			C9025	NCS21HJ-151X	C CAPACITOR		
CN251	QGF1205C1-10	CONNECTOR			C9026	NCS21HJ-151X	C CAPACITOR		
CN252	QGF1205C1-08	CONNECTOR			C9027	NCS21HJ-680X	C CAPACITOR		
CN403	QGF1205C1-09	CONNECTOR			C9031	NCB21HK-103X	C CAPACITOR		
CN405	QGF1205F1-10	CONNECTOR			C9034	NCS21HJ-151X	C CAPACITOR		
CN406	QGF1205F1-09	CONNECTOR			C9035	NCS21HJ-151X	C CAPACITOR		
CN407	QGF1205F1-13	CONNECTOR			C9036	NCS21HJ-151X	C CAPACITOR		
CN408	QGF1205F1-14	CONNECTOR			C9037	NCS21HJ-151X	C CAPACITOR		
CN601	QGF1008F1-15	21-41 CONNECTOR	TO RF		C9038	NCS21HJ-151X	C CAPACITOR		
CN602	QGA2001C1-06	6P PLUG ASSY			C9039	NCB21HK-103X	C CAPACITOR		
CN901	QGF1205F1-10	CONNECTOR			C9040	NCB21HK-102X	C CAPACITOR		
CN902	QGF1205F1-08	CONNECTOR			D 661	1SS133-T2	SI DIODE		
CN904	QGA2501F1-02	CONNECTOR			D2502	SLR-342VR-T15	LED	STAND-BY LED	
CN907	QGA2501C1-02	2P CONNECTOR			D2504	SLR-342MG-T15	LED	ACS IND (GR)	
C2501	QER61AM-226Z	E CAPACITOR	22MF 20% 10V		D2505	1SS133-T2	SI DIODE		
C2502	QER41CM-476	E CAPACITOR	47MF 20% 16V		D2506	SLR-342VR-T15	LED	AHB ON/OFF(R)	
C3361	QER41AM-107	E CAPACITOR	100MF 20% 10V		D2507	1SS133-T2	SI DIODE		

■ Electrical parts list(Micon board)

Block No. 01

△	Item	Parts number	Parts name	Remarks	Area	△	Item	Parts number	Parts name	Remarks	Area
	D2508	SELU2E10C	LED	3MMLED			R 603	NRSA02J-125X	MG RESISTOR		
	D2509	SELU2E10C	LED	3MMLED			R 605	NRSA02J-274X	MG RESISTOR		
	D3361	1SS133-T2	SI DIODE				R 606	NRSA02J-154X	MG RESISTOR		
	D3362	MTZJ3.9B-T2	Z DIODE				R 607	NRSA02J-273X	MG RESISTOR		
	D3363	1SS133-T2	SI DIODE				R 609	NRSA02J-104X	MG RESISTOR		
	D4301	1SS133-T2	SI DIODE				R 610	NRSA02J-154X	MG RESISTOR		
	D4302	1SS133-T2	SI DIODE				R 612	NRSA02J-102X	MG RESISTOR		
	D7351	1SS133-T2	SI DIODE				R 613	NRSA02J-121X	MG RESISTOR		
	D7352	1SS133-T2	SI DIODE				R 614	NRSA02J-100X	MG RESISTOR		
	D7353	1SS133-T2	SI DIODE				R 615	NRSA02J-120X	MG RESISTOR		
	D9001	1SS133-T2	SI DIODE				R 616	NRSA02J-910X	MG RESISTOR		
	D9002	MTZJ5.1C-T2	ZENER DIODE				R 621	NRSA02J-330X	MG RESISTOR		
	D9006	MA700A-T2	S.B.DIODE				R 622	NRSA02J-330X	MG RESISTOR		
	ICH01	VYH7237-002	IC HOLDER	FOR MICON			R 623	NRSA02J-330X	MG RESISTOR		
	IC401	BA15218F-XE	IC	ADDER			R 631	NRSA02J-331X	MG RESISTOR		
	IC601	AN8806SB-W	IC	RF AMP			R 632	NRSA02J-101X	MG RESISTOR		
△	IC602	BA6897FP-W	IC	DRIVER			R 633	NRSA02J-273X	MG RESISTOR		
	IC603	MN35510	IC	1CHIP PROCESSER			R 641	NRSA02J-563X	MG RESISTOR		
	IC751	BA15218F-XE	IC				R 642	NRSA02J-123X	MG RESISTOR		
	IC901	MN171603BJ1	IC	SYSTEM MICON			R 643	NRSA02J-822X	MG RESISTOR		
	IC902	IC-PST9131-T	IC				R 644	NRSA02J-223X	MG RESISTOR		
	IC903	GP1U281X	IC				R 645	NRSA02J-223X	MG RESISTOR		
	J4301	QNS0047-001	JACK	AUX			R 646	NRSA02J-222X	MG RESISTOR		
	J7351	QNS0043-001	JACK				R 647	NRSA02J-472X	MG RESISTOR		
	K 698	QQR0779-001Z	INDUCTOR	B4121			R 651	NRSA02J-102X	MG RESISTOR		
	K 699	QQR0779-001Z	INDUCTOR				R 652	NRSA02J-102X	MG RESISTOR		
	K9001	QQR0779-001Z	INDUCTOR				R 653	NRSA02J-102X	MG RESISTOR		
	L4351	QQR0779-001Z	INDUCTOR				R 654	NRSA02J-102X	MG RESISTOR		
	L4352	QQR0779-001Z	INDUCTOR				R 655	NRSA02J-471X	MG RESISTOR		
	L4353	QQL01BK-100Z	INDUCTOR				R 659	NRSA02J-221X	MG RESISTOR		
	L4354	QQR0779-001Z	INDUCTOR				R 661	NRSA02J-683X	MG RESISTOR		
	L4355	QQL01BK-100Z	INDUCTOR				R 662	NRSA02J-155X	MG RESISTOR		
	L4356	QQR0779-001Z	INDUCTOR				R 663	NRSA02J-124X	MG RESISTOR		
	L9001	QQL01BK-100Z	INDUCTOR				R 664	NRSA02J-471X	MG RESISTOR		
	L9002	QQL01BK-100Z	INDUCTOR				R 666	NRSA02J-220X	MG RESISTOR		
	PL 1	QLL0051-002	LAMP				R 671	NRSA02J-103X	MG RESISTOR		
	Q 601	2SA952/LK/-T	TRANSISTOR				R 672	NRSA02J-103X	MG RESISTOR		
	Q 631	2SA952/LK/-T	TRANSISTOR				R 696	NRSA02J-222X	MG RESISTOR		
	Q2501	DTA124XKA-X	CHIP D.TR				R 697	NRSA02J-474X	MG RESISTOR		
	Q2504	UN2210-X	TRANSISTOR				R2501	NRS181J-271X	MG RESISTOR		
	Q2505	2SC2412K/RS/-X	CHIP TRANSISTOR				R2502	NRSA02J-391X	MG RESISTOR		
	Q2506	DTC124TKA-X	TRANSISTOR				R2503	NRSA02J-391X	MG RESISTOR		
△	Q3361	2SA1037AK/RS/-X	TRANSISTOR	TUNER SW			R2504	NRSA02J-101X	MG RESISTOR		
	Q3362	2SD601A/R/-X	TRANSISTOR				R2505	NRSA02J-101X	MG RESISTOR		
	Q3571	2SB624/4/-X	TRANSISTOR				R2506	NRSA02J-121X	MG RESISTOR		
	Q3572	2SD601A/R/-X	TRANSISTOR				R2507	NRSA02J-151X	MG RESISTOR		
	Q4101	2SD2144S/VW/-T	TRANSISTOR				R2508	NRSA02J-221X	MG RESISTOR		
	Q4102	2SD596/4/-X	TRANSISTOR				R2509	NRSA02J-271X	MG RESISTOR		
	Q4201	2SD2144S/VW/-T	TRANSISTOR				R2510	NRSA02J-391X	MG RESISTOR		
	Q4202	2SD596/4/-X	TRANSISTOR				R2511	NRSA02J-561X	MG RESISTOR		
	Q4301	2SD601A/R/-X	TRANSISTOR				R2512	NRSA02J-102X	MG RESISTOR		
	Q7351	2SD601A/R/-X	TRANSISTOR				R2513	NRSA02J-182X	MG RESISTOR		
	Q7352	2SD601A/R/-X	TRANSISTOR				R2514	NRSA02J-391X	MG RESISTOR		
	Q7353	2SA1037AK/RS/-X	TRANSISTOR				R2515	NRSA02J-473X	MG RESISTOR		
	Q7354	UN2216-X	TRANSISTOR				R2516	NRS181J-473X	MG RESISTOR		
	Q9001	2SC2714/O/-X	TRANSISTOR	MAIN CLOCK			R2518	NRSA02J-223X	MG RESISTOR		
	Q9002	2SC2714/O/-X	TRANSISTOR	MAIN CLOCK			R2520	NRSA02J-391X	MG RESISTOR		
	Q9003	2SD601A/R/-X	TRANSISTOR				R2521	NRSA02J-102X	MG RESISTOR		
	Q9006	2SA1037AK/RS/-X	TRANSISTOR				R2522	NRSA02J-102X	MG RESISTOR		
	Q9010	UN2210-X	TRANSISTOR				R2523	NRSA02J-332X	MG RESISTOR		
	Q9011	UN2210-X	TRANSISTOR				R3361	NRSA02J-390X	MG RESISTOR		
	Q9013	UN2210-X	TRANSISTOR				R3362	NRSA02J-102X	MG RESISTOR		
	R 601	NRSA02J-113X	MG RESISTOR				R3363	NRSA02J-472X	MG RESISTOR		

■ Electrical parts list(Micon board)

Block No. 01

△	Item	Parts number	Parts name	Remarks	Area	△	Item	Parts number	Parts name	Remarks	
	R3571	NRSA02J-472X	MG RESISTOR				R9014	NRSA02J-102X	MG RESISTOR		
	R3572	NRSA02J-472X	MG RESISTOR				R9015	NRSA02J-104X	MG RESISTOR		
	R3573	NRSA02J-472X	MG RESISTOR				R9016	NRSA02J-224X	MG RESISTOR		
	R4141	NRSA02J-683X	MG RESISTOR				R9017	NRSA02J-822X	MG RESISTOR		
	R4142	NRSA02J-273X	MG RESISTOR				R9018	NRSA02J-822X	MG RESISTOR		
	R4143	NRSA02J-224X	MG RESISTOR				R9019	NRSA02J-104X	MG RESISTOR		
	R4144	NRSA02J-203X	MG RESISTOR				R9020	NRSA02J-104X	MG RESISTOR		
	R4145	NRSA02J-124X	MG RESISTOR				R9021	NRSA02J-102X	MG RESISTOR		
	R4149	NRSA02J-102X	MG RESISTOR				R9022	NRSA02J-682X	MG RESISTOR		
	R4150	NRSA02J-102X	MG RESISTOR				R9023	NRSA02J-103X	MG RESISTOR		
	R4151	NRSA02J-823X	MG RESISTOR				R9024	NRSA02J-103X	MG RESISTOR		
	R4153	NRSA02J-103X	MG RESISTOR				R9025	NRSA02J-103X	MG RESISTOR		
	R4155	NRSA02J-183X	MG RESISTOR				R9026	NRSA02J-102X	MG RESISTOR		
	R4158	NRSA02J-203X	MG RESISTOR				R9027	NRSA02J-103X	MG RESISTOR		
	R4159	NRSA02J-821X	MG RESISTOR				R9028	NRSA02J-102X	MG RESISTOR		
	R4160	NRSA02J-102X	MG RESISTOR				R9029	NRSA02J-102X	MG RESISTOR		
	R4161	NRSA02J-273X	MG RESISTOR				R9030	NRSA02J-102X	MG RESISTOR		
	R4241	NRSA02J-683X	MG RESISTOR				R9031	NRSA02J-102X	MG RESISTOR		
	R4242	NRSA02J-273X	MG RESISTOR				R9032	NRSA02J-103X	MG RESISTOR		
	R4243	NRSA02J-224X	MG RESISTOR				R9033	NRSA02J-102X	MG RESISTOR		
	R4244	NRSA02J-203X	MG RESISTOR				R9035	NRSA02J-103X	MG RESISTOR		
	R4245	NRSA02J-124X	MG RESISTOR				R9036	NRSA02J-102X	MG RESISTOR		
	R4249	NRSA02J-102X	MG RESISTOR				R9037	NRSA02J-102X	MG RESISTOR		
	R4250	NRSA02J-102X	MG RESISTOR				R9038	NRSA02J-103X	MG RESISTOR		
	R4251	NRSA02J-823X	MG RESISTOR				R9039	NRSA02J-103X	MG RESISTOR		
	R4253	NRSA02J-103X	MG RESISTOR				R9041	NRSA02J-104X	MG RESISTOR		
	R4255	NRSA02J-183X	MG RESISTOR				R9044	NRSA02J-222X	MG RESISTOR		
	R4258	NRSA02J-203X	MG RESISTOR				R9045	NRSA02J-333X	MG RESISTOR		
	R4259	NRSA02J-821X	MG RESISTOR				R9046	NRSA02J-682X	MG RESISTOR		
	R4260	NRSA02J-102X	MG RESISTOR				R9047	NRSA02J-103X	MG RESISTOR		
	R4261	NRSA02J-273X	MG RESISTOR				R9048	NRSA02J-103X	MG RESISTOR		
	R4301	NRSA02J-222X	MG RESISTOR				R9049	NRSA02J-103X	MG RESISTOR		
	R4341	NRSA02J-103X	MG RESISTOR				R9050	NRSA02J-222X	MG RESISTOR		
	R4342	NRSA02J-103X	MG RESISTOR				R9051	NRSA02J-222X	MG RESISTOR		
	R4343	NRSA02J-101X	MG RESISTOR				R9052	NRSA02J-222X	MG RESISTOR		
	R7351	NRS181J-101X	MG RESISTOR				R9053	NRSA02J-222X	MG RESISTOR		
	R7352	NRSA02J-223X	MG RESISTOR				R9054	NRSA02J-222X	MG RESISTOR		
	R7353	NRSA02J-223X	MG RESISTOR				R9055	NRSA02J-222X	MG RESISTOR		
	R7354	NRSA02J-103X	MG RESISTOR				R9056	NRSA02J-222X	MG RESISTOR		
	R7355	NRSA02J-222X	MG RESISTOR				R9057	NRSA02J-103X	MG RESISTOR		
	R7356	NRSA02J-564X	MG RESISTOR				R9059	NRSA02J-102X	MG RESISTOR		
	R7357	NRSA02J-104X	MG RESISTOR				R9061	NRSA02J-104X	MG RESISTOR		
	R7358	NRSA02J-102X	MG RESISTOR				R9062	NRSA02J-104X	MG RESISTOR		
	R7359	NRSA02J-103X	MG RESISTOR				R9063	NRSA02J-104X	MG RESISTOR		
	R7360	NRSA02J-103X	MG RESISTOR				R9065	NRSA02J-563X	MG RESISTOR		
	R7361	NRSA02J-224X	MG RESISTOR				R9066	NRSA02J-473X	MG RESISTOR		
	R7362	NRSA02J-102X	MG RESISTOR				R9067	NRSA02J-333X	MG RESISTOR		
	R7363	NRSA02J-102X	MG RESISTOR				R9068	NRSA02J-104X	MG RESISTOR		
	R7364	NRSA02J-103X	MG RESISTOR				R9069	NRSA02J-102X	MG RESISTOR		
	R7365	NRSA02J-473X	MG RESISTOR				R9070	NRSA02J-102X	MG RESISTOR		
	R7366	NRSA02J-104X	MG RESISTOR				R9071	NRSA02J-223X	MG RESISTOR		
	R9001	NRSA02J-681X	MG RESISTOR				R9072	NRSA02J-333X	MG RESISTOR		
	R9002	NRSA02J-681X	MG RESISTOR				R9073	NRSA02J-222X	MG RESISTOR		
	R9003	NRSA02J-222X	MG RESISTOR				R9074	NRSA02J-103X	MG RESISTOR		
	R9004	NRSA02J-222X	MG RESISTOR				R9075	NRSA02J-102X	MG RESISTOR		
	R9005	NRSA02J-153X	MG RESISTOR				R9076	NRSA02J-102X	MG RESISTOR		
	R9006	NRSA02J-472X	MG RESISTOR				R9077	NRSA02J-472X	MG RESISTOR		
	R9007	NRSA02J-222X	MG RESISTOR				R9078	NRSA02J-223X	MG RESISTOR		
	R9009	NRSA02J-102X	MG RESISTOR				R9079	NRSA02J-243X	MG RESISTOR		
	R9010	NRSA02J-103X	MG RESISTOR				R9080	NRSA02J-243X	MG RESISTOR		
	R9011	NRSA02J-222X	MG RESISTOR				R9081	NRSA02J-912X	MG RESISTOR		
	R9012	NRSA02J-222X	MG RESISTOR				R9082	NRSA02J-102X	MG RESISTOR		
	R9013	NRSA02J-222X	MG RESISTOR				R9083	NRSA02J-473X	MG RESISTOR		

■ Electrical parts list(Micon board)

Block No. 01

△	Item	Parts number	Parts name	Remarks	Area
	R9084	NRSA02J-222X	MG RESISTOR		
	R9085	NRSA02J-912X	MG RESISTOR		
	R9086	NRSA02J-473X	MG RESISTOR		
	R9087	NRSA02J-222X	MG RESISTOR		
	R9088	NRSA02J-222X	MG RESISTOR		
	R9089	NRSA02J-103X	MG RESISTOR		
	R9092	NRSA02J-103X	MG RESISTOR		
	R9093	NRSA02J-393X	MG RESISTOR		
	R9094	NRSA02J-473X	MG RESISTOR		
	R9095	NRSA02J-103X	MG RESISTOR		
	R9096	NRSA02J-104X	MG RESISTOR		
	R9097	NRSA02J-683X	MG RESISTOR		
	R9098	NRSA02J-103X	MG RESISTOR		
	R9099	NRSA02J-823X	MG RESISTOR		
	R9101	NRSA02J-102X	MG RESISTOR		
	R9102	NRSA02J-102X	MG RESISTOR		
	S2501	QSW0647-001Z	TACT SW		
	S2502	QSW0647-001Z	TACT SW		
	S2503	QSW0647-001Z	TACT SW		
	S2504	QSW0647-001Z	TACT SW		
	S2505	QSW0647-001Z	TACT SW		
	S2506	QSW0647-001Z	TACT SW		
	S2507	QSW0647-001Z	TACT SW		
	S2508	QSW0647-001Z	TACT SW		
	S2509	QSW0647-001Z	TACT SW		
	S2510	QSW0647-001Z	TACT SW		
	S2511	QSW0647-001Z	TACT SW		
	S2512	QSW0647-001Z	TACT SW		
	S2513	QSW0647-001Z	TACT SW		
	S2514	QSW0647-001Z	TACT SW		
	S2515	QSW0647-001Z	TACT SW		
△	S2521	QSW0122-001	PUSH SWITCH		
	VR731	QVQ0112-B24	V RESISTOR		
	WC101	QZW0038-001	WIRE CLAMP		
	WC102	QZW0038-001	WIRE CLAMP		
	X 651	QAX0369-001Z	CERA LOCK	16.9344MHZ	
	X9001	QAX0401-001	CRYSTAL	SUB CLOCK	
	X9002	QAX0410-001Z	CERA LOCK	MAIN CLOCK	

■ Electrical parts list(Main board)

Block No. 02

△	Item	Parts number	Parts name	Remarks	Area	△	Item	Parts number	Parts name	Remarks	Area
	C 3	QCSB1HK-6R8Y	C CAPACITOR	6.8PF 10% 50V			C3303	QFVJ1HJ-334Z	M CAPACITOR	.33MF 5% 50V	
	C 6	QDYB1CM-103Y	C CAPACITOR				C3304	QETN1CM-107Z	E CAPACITOR	100MF 20% 16V	
	C 7	QCS11HJ-200	C CAPACITOR	20PF 5% 50V			C3791	QDYB1CM-103Y	C CAPACITOR		
	C 9	QCSB1HJ-120Y	C CAPACITOR	12PF 5% 50V			C3901	QETN1AM-107Z	E CAPACITOR	100MF 20% 10V	
	C 13	QDX31EM-223Z	C CAPACITOR				C3902	QDX31EM-104Z	C CAPACITOR		
	C 16	QDYB1CM-103Y	C CAPACITOR				C5101	QFLM1HJ-222Z	M CAPACITOR	2200PF 5% 50V	
	C 17	QCS11HJ-200	C CAPACITOR	6.8PF 10% 50V			C5102	QTE1H28-475Z	E CAPACITOR		
	C 21	QDX31EM-473Z	C CAPACITOR				C5103	QTE1H06-475Z	E CAPACITOR		
	C 22	QFP31HJ-431Z	PP CAPACITOR	430PF 5% 50V			C5104	QFLM1HJ-563Z	M CAPACITOR	.056MF 5% 50V	
	C 23	QDCB1HK-4R7Y	C CAPACITOR				C5105	QFLM1HJ-563Z	M CAPACITOR	.056MF 5% 50V	
	C 25	QDX31EM-223Z	C CAPACITOR				C5106	QFLM1HJ-562Z	M CAPACITOR	5600PF 5% 50V	
	C 26	QFLM1HJ-472Z	M CAPACITOR	4700PF 5% 50V			C5201	QFLM1HJ-222Z	M CAPACITOR	2200PF 5% 50V	
	C 31	QDGB1HK-102Y	C CAPACITOR				C5202	QTE1H28-475Z	E CAPACITOR		
	C 32	QDYB1CM-103Y	C CAPACITOR				C5203	QTE1H06-475Z	E CAPACITOR		
	C 33	QETN1AM-107Z	E CAPACITOR	100MF 20% 10V			C5204	QFLM1HJ-563Z	M CAPACITOR	.056MF 5% 50V	
	C 35	QDYB1CM-103Y	C CAPACITOR				C5205	QFLM1HJ-563Z	M CAPACITOR	.056MF 5% 50V	
	C 36	QETN1HM-475Z	E CAPACITOR	4.7MF 20% 50V			C5206	QFLM1HJ-562Z	M CAPACITOR	5600PF 5% 50V	
	C 37	QDGB1HK-102Y	C CAPACITOR				C5301	QETN1HM-106Z	E CAPACITOR	10MF 20% 50V	
	C 41	QETN1CM-106Z	E CAPACITOR	10MF 20% 16V			C5302	QETN1HM-105Z	E CAPACITOR	1.0MF 20% 50V	
	C 42	QDX31EM-473Z	C CAPACITOR				C5303	QETN1HM-225Z	E CAPACITOR	2.2MF 20% 50V	
	C 43	QDYB1CM-103Y	C CAPACITOR				C5304	QETN1HM-105Z	E CAPACITOR	1.0MF 20% 50V	
	C 44	QETN1HM-104Z	E CAPACITOR	.10MF 20% 50V			C5305	QETN1HM-106Z	E CAPACITOR	10MF 20% 50V	
	C 45	QETN1HM-474Z	E CAPACITOR	.47MF 20% 50V			C5306	QETN1HM-225Z	E CAPACITOR	2.2MF 20% 50V	
	C 47	QDX31EM-123Z	C CAPACITOR				C5307	QFLM1HJ-473Z	M CAPACITOR	.047MF 5% 50V	
	C 48	QDX31EM-123Z	C CAPACITOR				C5309	QETN1HM-474Z	E CAPACITOR	.47MF 20% 50V	
	C 49	QETN1HM-104Z	E CAPACITOR	.10MF 20% 50V			C6101	QTE1H06-475Z	E CAPACITOR		
	C 50	QETN1HM-104Z	E CAPACITOR	.10MF 20% 50V			C6102	QCB1HK-151Y	C CAPACITOR	150PF 10% 50V	
	C 51	QCB1HK-331Y	C CAPACITOR	330PF 10% 50V			C6103	QFVF1HJ-104Z	TF CAPACITOR	.10MF 5% 50V	
	C 52	QDGB1HK-102Y	C CAPACITOR				C6104	QFVF1HJ-104Z	TF CAPACITOR	.10MF 5% 50V	
	C 56	QDGB1HK-102Y	C CAPACITOR				C6201	QTE1H06-475Z	E CAPACITOR		
	C 60	QDGB1HK-102Y	C CAPACITOR				C6202	QCB1HK-151Y	C CAPACITOR	150PF 10% 50V	
	C 61	QETN1AM-107Z	E CAPACITOR	100MF 20% 10V			C6203	QFVF1HJ-104Z	TF CAPACITOR	.10MF 5% 50V	
	C 62	QDCB1HJ-120Y	C CAPACITOR				C6204	QFVF1HJ-104Z	TF CAPACITOR	.10MF 5% 50V	
	C 63	QDGB1HK-102Y	C CAPACITOR				C6301	QTE1C28-227Z	E CAPACITOR		
	C 64	QDCB1HJ-120Y	C CAPACITOR				C6302	QETN1EM-336Z	E CAPACITOR	33MF 20% 25V	
	C 65	QDGB1HK-102Y	C CAPACITOR				C6303	QETN1HM-225Z	E CAPACITOR	2.2MF 20% 50V	
	C 66	QCB1HK-151Y	C CAPACITOR	150PF 10% 50V			C6304	QETN1HM-225Z	E CAPACITOR	2.2MF 20% 50V	
	C 69	QDXB1CM-222Y	C CAPACITOR				C6305	QETN1EM-107Z	E CAPACITOR	100MF 20% 25V	
	C 70	QETN1HM-225Z	E CAPACITOR	2.2MF 20% 50V			C6306	QETN1HM-105Z	E CAPACITOR	1.0MF 20% 50V	
	C 71	QETN1HM-335Z	E CAPACITOR	3.3MF 20% 50V			C6307	QETN1HM-105Z	E CAPACITOR	1.0MF 20% 50V	
	C 74	QCB1HK-221Y	C CAPACITOR	220PF 10% 50V			C6308	QFV41HJ-473	CAPACITOR	.047MF 5% 50V	
	C 75	QDCB1HK-6R8Y	C CAPACITOR				C6309	QFV41HJ-473	CAPACITOR	.047MF 5% 50V	
	C 76	QDX31EM-103Z	C CAPACITOR				C6314	QTE1E28-476Z	E CAPACITOR		
	C 77	QDGB1HK-102Y	C CAPACITOR				C6315	QETM1EM-688	E CAPACITOR	6800MF 20% 25V	
	C 78	QDCB1HK-5R6Y	C CAPACITOR				C6321	QETN1HM-106Z	E CAPACITOR	10MF 20% 50V	
	CF 1	QAX0403-001	C FILTER				C8101	QFN31HJ-124Z	M CAPACITOR	.12MF 5% 50V	
	CF 3	QAX0404-001Z	C FILTER				C8102	QFN31HJ-124Z	M CAPACITOR	.12MF 5% 50V	
	CF 4	QAX0409-001	CERA LOCK				C8103	QTE1E06-226Z	E CAPACITOR		
	CN 1	QGF1205C1-09	CONNECTOR	TO MAIN			C8105	QFVF1HJ-684Z	TF CAPACITOR	.68MF 5% 50V	
	CN191	QGA2501C1-05	5P CONNECTOR				C8106	QCS11HJ-150	C CAPACITOR	15PF 5% 50V	
	CN192	QGA3901C1-02	CONNECTOR				C8201	QFN31HJ-124Z	M CAPACITOR	.12MF 5% 50V	
	CN193	QGA7901C1-04	CONNECTOR				C8202	QFN31HJ-124Z	M CAPACITOR	.12MF 5% 50V	
	CN631	QGF1205C1-13	CONNECTOR				C8203	QTE1E06-226Z	E CAPACITOR		
	CN632	QGF1205C1-14	CONNECTOR				C8205	QFVF1HJ-684Z	TF CAPACITOR	.68MF 5% 50V	
	CN633	QGB2501K1-04	CONNECTOR				C8206	QCS11HJ-150	C CAPACITOR	15PF 5% 50V	
	C1901	QFLM1HJ-683Z	M CAPACITOR	.068MF 5% 50V			C8301	QETN1CM-476Z	E CAPACITOR	47MF 20% 16V	
	C1902	QFLM1HJ-683Z	M CAPACITOR	.068MF 5% 50V			C8303	QETN1HM-104Z	E CAPACITOR	.10MF 20% 50V	
	C1903	QFLM1HJ-683Z	M CAPACITOR	.068MF 5% 50V			C8304	QETN1HM-475Z	E CAPACITOR	4.7MF 20% 50V	
	C1904	QFLM1HJ-683Z	M CAPACITOR	.068MF 5% 50V			C8305	QETN1HM-106Z	E CAPACITOR	10MF 20% 50V	
	C3191	QTE1V06-226Z	E CAPACITOR				C8322	QETN1CM-476Z	E CAPACITOR	47MF 20% 16V	
	C3192	QETN1EM-107Z	E CAPACITOR	100MF 20% 25V			C8351	QCS11HJ-680	C CAPACITOR	68PF 5% 50V	
	C3301	QDYB1CM-103Y	C CAPACITOR				C8352	QCB1HK-221Y	C CAPACITOR	220PF 10% 50V	
	C3302	QETN1CM-107Z	E CAPACITOR	100MF 20% 16V			C8353	QCB1HK-221Y	C CAPACITOR	220PF 10% 50V	

■ Electrical parts list(Main board)

Block No. 02

△	Item	Parts number	Parts name	Remarks	Area	△	Item	Parts number	Parts name	Remarks	Area
	C8354	QCS11HJ-330	C CAPACITOR	33PF 5% 50V			L 3	QQR0770-001	BAR ANTENA	MW RF	
	C8355	QFVJ1HJ-393Z	CAPACITOR	.039MF 5% 50V			L 4	QQR0723-001	OSC COIL	MW OSC	
	C8356	QETN1CM-107Z	E CAPACITOR	100MF 20% 16V			L 6	QQR0775-001	OSC COIL		
	C8357	QCB1HK-101Y	C CAPACITOR	100PF 10% 50V			L 7	QQL231K-221Y	INDUCTOR		
	C8358	QETN1HM-226Z	E CAPACITOR	22MF 20% 50V			L 12	QQR0756-001	INDUCTOR		
	C8359	QETN1HM-106Z	E CAPACITOR	10MF 20% 50V			L 13	QQR0874-001	COIL		
	C8360	QFLM1HJ-272Z	M CAPACITOR	2700PF 5% 50V			Q 3	2SC2668/O/-T	TRANSISTOR		
	C8361	QFLM1HJ-104Z	M CAPACITOR	.10MF 5% 50V			Q 4	2SA1175/HFE/-T	TRANSISTOR		
	C8362	QFLM1HJ-473Z	M CAPACITOR	.047MF 5% 50V			Q 5	2SC2668/O/-T	TRANSISTOR		
	C8363	QCB1HK-101Y	C CAPACITOR	100PF 10% 50V			Q 6	2SC2668/O/-T	TRANSISTOR		
	C8364	QDYB1CM-103Y	C CAPACITOR				Q 16	2SC2668/O/-T	TRANSISTOR		
	D 1	SVC203SPA-JV-T	VARI CAP				Q 17	DTA114YSA-T	D.TR		
	D 2	SVC203SPA-JV-T	VARI CAP				Q3191	DTA114TSA-T	D.TR		
	D 5	1SS133-T2	SI DIODE			△	Q3192	2SB1565/EF/	TRANSISTOR		
	D 6	1SS133-T2	SI DIODE				Q3193	2SA1175/HFE/-T	TRANSISTOR		
	D 8	SVC344-T	VARI CAP				Q3194	2SC2785/FE/-T	TRANSISTOR		
	D 10	SVC344-T	VARI CAP				Q3198	DTC114TSA-T	D.TRANSISTOR		
	D 12	DSK10C-T1	DIODE				Q3791	2SC2785/HFE/-T	TRANSISTOR		
△	D1901	KBU603G-A3	DIODE				Q5101	2SK105/EF/-T	TRANSISTOR(FET)		
	D1902	1N5401-TM	DIODE				Q5201	2SK105/EF/-T	TRANSISTOR(FET)		
	D3192	MTZJ3.0B-T2	Z.DIODE				Q6101	2SD2144S/VW/-T	TRANSISTOR		
	D3194	MTZJ7.5A-T2	Z.DIODE				Q6201	2SD2144S/VW/-T	TRANSISTOR		
	D3195	1SS133-T2	SI DIODE				Q6301	DTA114ESA-T	DIGITAL.TR TAPE	MUTE DRIV	
	D3301	1SS133-T2	SI DIODE				Q8101	2SC2785/FE/-T	TRANSISTOR		
	D3302	1SS133-T2	SI DIODE				Q8102	2SC2785/FE/-T	TRANSISTOR		
	D3791	MTZJ6.2A-T2	Z.DIODE IDM				Q8103	2SC2785/FE/-T	TRANSISTOR		
	D3901	MTZJ8.2B-T2	DIODE				Q8201	2SC2785/FE/-T	TRANSISTOR		
	D6301	1SS133-T2	SI DIODE				Q8202	2SC2785/FE/-T	TRANSISTOR		
	D6302	1SS133-T2	SI DIODE				Q8203	2SC2785/FE/-T	TRANSISTOR		
	D6303	1SS133-T2	SI DIODE				Q8301	DTC144TSA-T	D.TR		
	D6304	1SS133-T2	SI DIODE				Q8302	DTA114ESA-T	DIGITAL.TR TAPE		
	D8301	MTZJ4.3B-T2	ZENER DIODE				Q8351	DTC124TSA-T	TRANSISTOR		
	D8302	1SS133-T2	SI DIODE				Q8352	2SA1175/HFE/-T	TRANSISTOR		
	D8303	1SS133-T2	SI DIODE				Q8353	2SC2785/HFE/-T	TRANSISTOR		
	D8304	1SS133-T2	SI DIODE				Q8354	2SC2785/HFE/-T	TRANSISTOR		
	D8351	1SS133-T2	SI DIODE				R 1	QRE141J-104Y	C RESISTOR	100K 5% 1/4W	
	D8352	1SS133-T2	SI DIODE				R 2	QRE141J-473Y	C RESISTOR	47K 5% 1/4W	
	D8353	1SS133-T2	SI DIODE				R 3	QRE141J-4R7Y	C RESISTOR	4.7 5% 1/4W	
	D8354	1SS133-T2	SI DIODE				R 7	QRE141J-104Y	C RESISTOR	100K 5% 1/4W	
	D8355	1SS133-T2	SI DIODE				R 9	QRE141J-102Y	C RESISTOR	1.0K 5% 1/4W	
	D8356	1SS133-T2	SI DIODE				R 12	QRE141J-472Y	C RESISTOR	4.7K 5% 1/4W	
	D8357	1SS133-T2	SI DIODE				R 13	QRE141J-104Y	C RESISTOR	100K 5% 1/4W	
	D8358	1SS133-T2	SI DIODE				R 15	QRE141J-222Y	C RESISTOR	2.2K 5% 1/4W	
	FW251	QJL008-026802	SIN CR B-B WIRE	TO FW261 SPK LE			R 16	QRE141J-472Y	C RESISTOR	4.7K 5% 1/4W	
	FW256	QJK005-021002	SIN CL C-B WIRE	CD OPEN/CLOSE S			R 17	QRE141J-104Y	C RESISTOR	100K 5% 1/4W	
	FW401	QJL007-021002	SIN CR B-B WIRE	TO FW402 LAMP W			R 18	QRE141J-102Y	C RESISTOR	1.0K 5% 1/4W	
	FW601	WJK0042-001A	E-SI C WIRE C-B	AMP-DENGEN			R 20	QRE141J-102Y	C RESISTOR	1.0K 5% 1/4W	
	FW901	WJK0044-001A	E-SI C WIRE C-B	TRANS WIRE			R 21	QRE141J-103Y	C RESISTOR	10K 5% 1/4W	
	FW902	WJK0043-001A	E-SI C WIRE C-B	TRANS WIRE			R 28	QRE141J-512Y	C RESISTOR	5.1K 5% 1/4W	
	FW914	QJK002-024002	SIN CR C-B WIRE	MICON PWB - SPK			R 30	QRE141J-104Y	C RESISTOR	100K 5% 1/4W	
	IC 1	TA2008AN	IC				R 32	QRE141J-223Y	C RESISTOR	22K 5% 1/4W	
	IC 2	LC72136N	IC				R 33	QRE141J-101Y	C RESISTOR	100 5% 1/4W	
△	IC310	BA44W12ST-V5/Z1	IC				R 34	QRE141J-393Y	C RESISTOR	39K 5% 1/4W	
△	IC390	KIA78DL06PI	IC				R 35	QRE141J-393Y	C RESISTOR	39K 5% 1/4W	
	IC501	BH3852S	IC				R 37	QRE141J-560Y	C RESISTOR	56 5% 1/4W	
△	IC631	LA4705NA	IC	<111>			R 40	QRE141J-222Y	C RESISTOR	2.2K 5% 1/4W	
	IC801	BA15218N	IC	BB AMP			R 41	QRE141J-222Y	C RESISTOR	2.2K 5% 1/4W	
	IC831	BA15218N	IC				R 42	QRE141J-473Y	C RESISTOR	47K 5% 1/4W	
△	J1901	QNC0042-001	AC SOCKET				R 44	QRE141J-222Y	C RESISTOR	2.2K 5% 1/4W	
	J1902	QNA0016-001	DC JACK				R 45	QRE141J-102Y	C RESISTOR	1.0K 5% 1/4W	
	J6301	QNS0072-001	HEADPHONE JACK				R 46	QRE141J-103Y	C RESISTOR	10K 5% 1/4W	
	L 1	QQR0772-001	OSC COIL	FM OSC			R 47	QRE141J-471Y	C RESISTOR	470 5% 1/4W	
	L 2	QQR0769-001	RF COIL	FM RF			R 48	QRE141J-102Y	C RESISTOR	1.0K 5% 1/4W	

■ Electrical parts list(Main board)

Block No. 02

▲	Item	Parts number	Parts name	Remarks	Area	▲	Item	Parts number	Parts name	Remarks	Area
	R 51	QRE141J-102Y	C RESISTOR	1.0K 5% 1/4W			R6208	QRE141J-102Y	C RESISTOR	1.0K 5% 1/4W	
	R 52	QRE141J-472Y	C RESISTOR	4.7K 5% 1/4W			R6301	QRE141J-103Y	C RESISTOR	10K 5% 1/4W	
	R 54	QRE141J-222Y	C RESISTOR	2.2K 5% 1/4W			R6302	QRE141J-153Y	C RESISTOR	15K 5% 1/4W	
	R 55	QRE141J-222Y	C RESISTOR	2.2K 5% 1/4W			R6303	QRE141J-153Y	C RESISTOR	15K 5% 1/4W	
	R 56	QRE141J-332Y	C RESISTOR	3.3K 5% 1/4W			R6325	QRE141J-153Y	C RESISTOR	15K 5% 1/4W	
	R 57	QRE141J-102Y	C RESISTOR	1.0K 5% 1/4W			R8101	QRE141J-272Y	C RESISTOR	2.7K 5% 1/4W	
	R 59	QRE141J-102Y	C RESISTOR	1.0K 5% 1/4W			R8102	QRE141J-562Y	C RESISTOR	5.6K 5% 1/4W	
	R 60	QRE141J-102Y	C RESISTOR	1.0K 5% 1/4W			R8103	QRE141J-182Y	C RESISTOR	1.8K 5% 1/4W	
	R 61	QRE141J-102Y	C RESISTOR	1.0K 5% 1/4W			R8104	QRE141J-184Y	C RESISTOR	180K 5% 1/4W	
	R 64	QRE141J-102Y	C RESISTOR	1.0K 5% 1/4W			R8105	QRE141J-821Y	C RESISTOR	820 5% 1/4W	
	R 66	QRE141J-103Y	C RESISTOR	10K 5% 1/4W			R8107	QRE141J-153Y	C RESISTOR	15K 5% 1/4W	
	R 71	QRE141J-472Y	C RESISTOR	4.7K 5% 1/4W			R8108	QRE141J-152Y	C RESISTOR	1.5K 5% 1/4W	
	R 72	QRE141J-473Y	C RESISTOR	47K 5% 1/4W			R8109	QRE141J-474Y	C RESISTOR	470K 5% 1/4W	
	R1901	QRE141J-103Y	C RESISTOR	AC/DC			R8111	QRE141J-104Y	C RESISTOR	100K 5% 1/4W	
	R3191	QRE141J-391Y	C RESISTOR	390 5% 1/4W			R8113	QRE141J-472Y	C RESISTOR	4.7K 5% 1/4W	
	R3192	QRE141J-391Y	C RESISTOR	390 5% 1/4W			R8114	QRE141J-821Y	C RESISTOR	820 5% 1/4W	
	R3193	QRE141J-104Y	C RESISTOR	100K 5% 1/4W			R8115	QRE141J-104Y	C RESISTOR	100K 5% 1/4W	
	R3194	QRE141J-103Y	C RESISTOR	10K 5% 1/4W			R8116	QRE141J-154Y	C RESISTOR	150K 5% 1/4W	
	R3195	QRE141J-1R2Y	C RESISTOR	1.2 5% 1/4W			R8117	QRE141J-103Y	C RESISTOR	10K 5% 1/4W	
	R3196	QRE141J-1R2Y	C RESISTOR	1.2 5% 1/4W			R8201	QRE141J-272Y	C RESISTOR	2.7K 5% 1/4W	
	R3197	QRE141J-1R2Y	C RESISTOR	1.2 5% 1/4W			R8202	QRE141J-562Y	C RESISTOR	5.6K 5% 1/4W	
	R3201	QRE141J-152Y	C RESISTOR	1.5K 5% 1/4W			R8203	QRE141J-182Y	C RESISTOR	1.8K 5% 1/4W	
	R3202	QRE141J-152Y	C RESISTOR	1.5K 5% 1/4W			R8204	QRE141J-184Y	C RESISTOR	180K 5% 1/4W	
	R3203	QRE141J-103Y	C RESISTOR	10K 5% 1/4W			R8205	QRE141J-821Y	C RESISTOR	820 5% 1/4W	
	R3204	QRE141J-222Y	C RESISTOR	2.2K 5% 1/4W			R8207	QRE141J-153Y	C RESISTOR	15K 5% 1/4W	
	R3301	QRE141J-102Y	C RESISTOR	1.0K 5% 1/4W			R8208	QRE141J-152Y	C RESISTOR	1.5K 5% 1/4W	
	R3302	QRE141J-682Y	C RESISTOR	6.8K 5% 1/4W			R8209	QRE141J-474Y	C RESISTOR	470K 5% 1/4W	
	R3303	QRE141J-392Y	C RESISTOR	3.9K 5% 1/4W			R8211	QRE141J-104Y	C RESISTOR	100K 5% 1/4W	
	R3304	QRE141J-682Y	C RESISTOR	6.8K 5% 1/4W			R8213	QRE141J-472Y	C RESISTOR	4.7K 5% 1/4W	
	R3305	QRE141J-392Y	C RESISTOR	3.9K 5% 1/4W			R8214	QRE141J-821Y	C RESISTOR	820 5% 1/4W	
	R3791	QRE141J-103Y	C RESISTOR	10K 5% 1/4W			R8215	QRE141J-104Y	C RESISTOR	100K 5% 1/4W	
	R3792	QRE141J-104Y	C RESISTOR	100K 5% 1/4W			R8216	QRE141J-154Y	C RESISTOR	150K 5% 1/4W	
	R3793	QRE141J-103Y	C RESISTOR	10K 5% 1/4W			R8217	QRE141J-103Y	C RESISTOR	10K 5% 1/4W	
	R3794	QRE141J-683Y	C RESISTOR	68K 5% 1/4W			R8301	QRE141J-152Y	C RESISTOR	1.5K 5% 1/4W	
	R3901	QRZ9006-4R7X	F RESISTOR	4.7 1/0W			R8302	QRE141J-474Y	C RESISTOR	470K 5% 1/4W	
	R5101	QRE141J-153Y	C RESISTOR	15K 5% 1/4W			R8303	QRE141J-223Y	C RESISTOR	22K 5% 1/4W	
	R5102	QRE141J-123Y	C RESISTOR	12K 5% 1/4W			R8304	QRE141J-223Y	C RESISTOR	22K 5% 1/4W	
	R5104	QRE141J-224Y	C RESISTOR	220K 5% 1/4W			R8305	QRE141J-153Y	C RESISTOR	15K 5% 1/4W	
	R5201	QRE141J-153Y	C RESISTOR	15K 5% 1/4W			R8306	QRE141J-473Y	C RESISTOR	47K 5% 1/4W	
	R5202	QRE141J-123Y	C RESISTOR	12K 5% 1/4W			R8321	QRE141J-101Y	C RESISTOR	100 5% 1/4W	
	R5204	QRE141J-224Y	C RESISTOR	220K 5% 1/4W			R8327	QRE141J-223Y	C RESISTOR	22K 5% 1/4W	
	R5301	QRE141J-104Y	C RESISTOR	100K 5% 1/4W			R8351	QRE141J-473Y	C RESISTOR	47K 5% 1/4W	
	R5302	QRE141J-333Y	C RESISTOR	33K 5% 1/4W			R8352	QRE141J-104Y	C RESISTOR	100K 5% 1/4W	
	R5303	QRE141J-104Y	C RESISTOR	100K 5% 1/4W			R8354	QRE141J-101Y	C RESISTOR	100 5% 1/4W	
	R5305	QRE141J-101Y	C RESISTOR	100 5% 1/4W			R8355	QRE141J-474Y	C RESISTOR	470K 5% 1/4W	
	R5306	QRE141J-475Y	C RESISTOR	4.7M 5% 1/4W			R8356	QRE141J-124Y	C RESISTOR	120K 5% 1/4W	
	R5307	QRE141J-475Y	C RESISTOR	4.7M 5% 1/4W			R8357	QRE141J-101Y	C RESISTOR	100 5% 1/4W	
	R5308	QRE141J-154Y	C RESISTOR	150K 5% 1/4W			R8358	QRE141J-475Y	C RESISTOR	4.7M 5% 1/4W	
	R6101	QRE141J-2R2Y	C RESISTOR	2.2 5% 1/4W			R8359	QRE141J-102Y	C RESISTOR	1.0K 5% 1/4W	
	R6102	QRE141J-2R2Y	C RESISTOR	2.2 5% 1/4W			R8360	QRE141J-822Y	C RESISTOR	8.2K 5% 1/4W	
	R6103	QRE141J-121Y	C RESISTOR	120 5% 1/4W			R8361	QRE141J-473Y	C RESISTOR	47K 5% 1/4W	
	R6104	QRE141J-471Y	C RESISTOR	470 5% 1/4W			R8362	QRE141J-822Y	C RESISTOR	8.2K 5% 1/4W	
	R6105	QRE141J-393Y	C RESISTOR	39K 5% 1/4W			R8363	QRE141J-101Y	C RESISTOR	100 5% 1/4W	
	R6106	QRE141J-393Y	C RESISTOR	39K 5% 1/4W			R8364	QRE141J-473Y	C RESISTOR	47K 5% 1/4W	
	R6107	QRE141J-562Y	C RESISTOR	5.6K 5% 1/4W			R8365	QRE141J-101Y	C RESISTOR	100 5% 1/4W	
	R6108	QRE141J-102Y	C RESISTOR	1.0K 5% 1/4W			R8366	QRE141J-224Y	C RESISTOR	220K 5% 1/4W	
	R6201	QRE141J-2R2Y	C RESISTOR	2.2 5% 1/4W			R8367	QRE141J-151Y	C RESISTOR	150 5% 1/4W	
	R6202	QRE141J-2R2Y	C RESISTOR	2.2 5% 1/4W			R8368	QRE141J-473Y	C RESISTOR	47K 5% 1/4W	
	R6203	QRE141J-121Y	C RESISTOR	120 5% 1/4W			R8369	QRE141J-473Y	C RESISTOR	47K 5% 1/4W	
	R6204	QRE141J-471Y	C RESISTOR	470 5% 1/4W			R8370	QRE141J-275Y	C RESISTOR	2.7M 5% 1/4W	
	R6205	QRE141J-393Y	C RESISTOR	39K 5% 1/4W			R8372	QRE141J-103Y	C RESISTOR	10K 5% 1/4W	
	R6206	QRE141J-393Y	C RESISTOR	39K 5% 1/4W			R8373	QRE141J-103Y	C RESISTOR	10K 5% 1/4W	
	R6207	QRE141J-562Y	C RESISTOR	5.6K 5% 1/4W			▲ S1901	QSW0555-001	VOLTAGE SELECTOR		

■ Electrical parts list(Main board)

Block No. 02

△	Item	Parts number	Parts name	Remarks	Area
	T 2	QQR0719-001	I.F.TRANSEFORME		
	TC 2	QAT3725-200Z	T CAPACITOR	MW RF	
	TC 3	QAT3725-100Z	T CAPACITOR		
	TP 1	QNZ0104-001	POST PIN	TO ROD ANT	
	TP 2	QNZ0104-001	POST PIN	GND	
	W 1	QUB223-19HPPH	SIN TWIST WIRE	BATT WIRE(UM-3)	
	W 3	QUB231-15HPPH	SIN TWIST WIRE		
	W 4	QUB233-06HPPH	SIN TWIST WIRE		
	X 1	QAX0402-001	CRYSTAL		
	Z1901	QNG0020-001Z	FUSE CLIP		
	Z1902	QNG0020-001Z	FUSE CLIP	FOR F1902	
	Z1904	QNG0020-001Z	FUSE CLIP	FOR F1904	
	Z1911	QNG0020-001Z	FUSE CLIP		
	Z1922	QNG0020-001Z	FUSE CLIP	FOR F1902	
	Z1944	QNG0020-001Z	FUSE CLIP	FOR F1904	

■ Electrical parts list(Switch board)

Block No. 03

△	Item	Parts number	Parts name	Remarks	Area
	CN 1	QGB2011L1-10	10P PLUG ASSY		
	D 1	1SR139-400-T2	SI DIODE		
	IC 1	SG-105F3-BB,C	PHOTO SENSER		
	P 1	QNZ0104-001	POST PIN		
	SW 1	QSW0832-001	CASSETTE SWITCH	R.REC	
	SW 2	QSW0832-001	CASSETTE SWITCH	TAPE	
	SW 4	QSW0832-001	CASSETTE SWITCH	70U	
	SW 5	QSW0832-001	CASSETTE SWITCH	F.REC	
	SW 6	QSW0859-001	SWITCH		

■ Electrical parts list(Head AMP.board)

Block No. 04

△	Item	Parts number	Parts name	Remarks	Area	△	Item	Parts number	Parts name	Remarks	Area
	C 101	NCS21HJ-821X	C CAPACITOR	820PF 5% 50V			IC 33	BU4094BCF-X	IC		
	C 102	NCS21HJ-221X	C CAPACITOR	220PF 5% 50V			L 301	QQR0620-001	OSC COIL(BIAS)		
	C 103	QEKJ0JM-227Z	E CAPACITOR	220MF 20% 6.3V			L 303	QQL01BK-100Z	INDUCTOR		
	C 104	NCB21HK-333X	C CAPACITOR	.033MF 10% 50V			Q 101	DTC114TKA-X	TRANSISTOR		
	C 105	NCB21HK-222X	C CAPACITOR	2200PF 10% 50V			Q 102	DTC114TKA-X	TRANSISTOR	REC EQ CONT.	
	C 106	QEKJ1CM-106Z	E CAPACITOR	10MF 20% 16V			Q 201	DTC114TKA-X	TRANSISTOR		
	C 107	NCS21HJ-561X	C CAPACITOR	560PF 5% 50V			Q 202	DTC114TKA-X	TRANSISTOR	REC EQ CONT.	
	C 108	QEKJ1EM-475Z	E CAPACITOR	4.7MF 20% 25V			Q 301	DTA144EKA-X	TRANSISTOR	REC EQ CONT.	
	C 109	QEKJ1EM-475Z	E CAPACITOR	4.7MF 20% 25V			Q 302	2SC2001/K-T	TR I/M		
	C 110	NCB21HK-682X	C.CAPA. C.M	6800PF 10% 50V			Q 303	2SC2001/K-T	TR I/M		
	C 111	NCB21HK-122X	C CAPACITOR	1200PF 10% 50V			Q 304	2SC2001/LK/T	TRANSISTOR		
	C 112	NCB21EK-683X	C CAPACITOR	.068MF 10% 25V			Q 305	2SC2001/LK/T	TRANSISTOR		
	C 113	NCB21HK-222X	C CAPACITOR	2200PF 10% 50V			Q 306	2SC2412K/RS/-X	CHIP TR.C.M		
	C 121	NCS21HJ-331X	C CAPACITOR	330PF 5% 50V			Q 307	2SC2412K/RS/-X	CHIP TR.C.M		
	C 201	NCS21HJ-821X	C CAPACITOR	820PF 5% 50V			Q 308	2SC2412K/RS/-X	CHIP TR.C.M		
	C 202	NCS21HJ-221X	C CAPACITOR	220PF 5% 50V			Q 309	2SC2412K/RS/-X	CHIP TR.C.M		
	C 203	QEKJ0JM-227Z	E CAPACITOR	220MF 20% 6.3V			Q 321	DTC144EKA-X	TRANSISTOR		
	C 204	NCB21HK-333X	C CAPACITOR	.033MF 10% 50V			Q 323	2SC2412K/RS/-X	CHIP TR.C.M		
	C 205	NCB21HK-222X	C CAPACITOR	2200PF 10% 50V			Q 371	2SA952/LK/T	TRANSISTOR	MOTER+B	
	C 206	QEKJ1CM-106Z	E CAPACITOR	10MF 20% 16V			Q 372	DTC124EKA-X	TRANSISTOR		
	C 207	NCS21HJ-561X	C CAPACITOR	560PF 5% 50V			Q 375	2SB562/C/T	TRANSISTOR	SOLENOID DRIVE	
	C 208	QEKJ1EM-475Z	E CAPACITOR	4.7MF 20% 25V			Q 376	2SC2412K/RS/-X	CHIP TR.C.M		
	C 209	QEKJ1EM-475Z	E CAPACITOR	4.7MF 20% 25V			R 101	NRSA02J-220X	MG RESISTOR	22 5% 1/10W	
	C 210	NCB21HK-682X	C.CAPA. C.M	6800PF 10% 50V			R 102	NRSA02J-182X	MG RESISTOR	1.8K 5% 1/10W	
	C 211	NCB21HK-122X	C CAPACITOR	1200PF 10% 50V			R 103	NRSA02J-242NY	MG RESISTOR	2.4K 5% 1/10W	
	C 212	NCB21EK-683X	C CAPACITOR	.068MF 10% 25V			R 104	NRSA02J-122X	MG RESISTOR	1.2K 5% 1/10W	
	C 213	NCB21HK-222X	C CAPACITOR	2200PF 10% 50V			R 105	NRSA02J-104X	MG RESISTOR	100K 5% 1/10W	
	C 221	NCS21HJ-331X	C CAPACITOR	330PF 5% 50V			R 106	NRSA02J-332X	MG RESISTOR	3.3K 5% 1/10W	
	C 301	QEKJ1AM-107Z	E CAPACITOR	100MF 20% 10V			R 107	NRSA02J-123X	RES. C.M	12K 5% 1/10W	
	C 302	NCB21HK-393X	C CAPACITOR	.039MF 10% 50V			R 108	NRSA02J-562X	MG RESISTOR	5.6K 5% 1/10W	
	C 303	QEKJ0JM-227Z	E CAPACITOR	220MF 20% 6.3V			R 109	NRSA02J-122X	MG RESISTOR	1.2K 5% 1/10W	
	C 304	QEKJ1CM-226Z	E CAPACITOR	22MF 20% 16V			R 110	NRSA02J-472X	RES. C.M	4.7K 5% 1/10W	
	C 305	QEKJ1CM-226Z	E CAPACITOR	22MF 20% 16V			R 111	NRSA02J-333X	MG RESISTOR	33K 5% 1/10W	
	C 306	QEKJ1CM-476Z	E CAPACITOR	47MF 20% 16V			R 112	NRSA02J-222X	MG RESISTOR	2.2K 5% 1/10W	
	C 307	NCB21HK-103X	C CAPACITOR	.010MF 10% 50V			R 113	NRSA02J-472X	RES. C.M	4.7K 5% 1/10W	
	C 308	NCB21HK-562X	C CAPACITOR	5600PF 10% 50V			R 114	NRSA02J-272X	MG RESISTOR	2.7K 5% 1/10W	
	C 309	NCB21HK-562X	C CAPACITOR	5600PF 10% 50V			R 116	NRSA02J-102X	RES. C.M	1.0K 5% 1/10W	
	C 310	NCB21HK-223X	C CAPACITOR	.022MF 10% 50V			R 121	NRSA02J-102X	RES. C.M	1.0K 5% 1/10W	
	C 311	NCB21HK-682X	C.CAPA. C.M	6800PF 10% 50V			R 201	NRSA02J-220X	MG RESISTOR	22 5% 1/10W	
	C 313	QEKJ1AM-107Z	E CAPACITOR	100MF 20% 10V			R 202	NRSA02J-182X	MG RESISTOR	1.8K 5% 1/10W	
	C 314	QCZ0205-155Z	ML C CAP I/M	1.5MF			R 203	NRSA02J-242NY	MG RESISTOR	2.4K 5% 1/10W	
	C 315	QCZ0205-155Z	ML C CAP I/M	1.5MF			R 204	NRSA02J-122X	MG RESISTOR	1.2K 5% 1/10W	
	C 316	QFG32AJ-103Z	PP CAPACITOR	.010MF 5% 100V			R 205	NRSA02J-104X	MG RESISTOR	100K 5% 1/10W	
	C 318	NCB21HK-103X	C CAPACITOR	.010MF 10% 50V			R 206	NRSA02J-332X	MG RESISTOR	3.3K 5% 1/10W	
	C 319	QFG32AJ-821Z	TF CAPACITOR	820PF 5% 100V			R 207	NRSA02J-123X	RES. C.M	12K 5% 1/10W	
	C 321	NCB21HK-103X	C CAPACITOR	.010MF 10% 50V			R 208	NRSA02J-562X	MG RESISTOR	5.6K 5% 1/10W	
	C 322	QFG32AJ-152Z	M CAPACITOR	1500PF 5% 100V			R 209	NRSA02J-122X	MG RESISTOR	1.2K 5% 1/10W	
	C 331	QEKJ1CM-476Z	E CAPACITOR	47MF 20% 16V			R 210	NRSA02J-472X	RES. C.M	4.7K 5% 1/10W	
	C 351	QEK41CM-106	E CAPACITOR	10MF 20% 16V			R 211	NRSA02J-333X	MG RESISTOR	33K 5% 1/10W	
	C 371	QEKJ1EM-475Z	E CAPACITOR	4.7MF 20% 25V			R 212	NRSA02J-222X	MG RESISTOR	2.2K 5% 1/10W	
	C 374	QEKJ1AM-107Z	E CAPACITOR	MOTOR +B			R 213	NRSA02J-472X	RES. C.M	4.7K 5% 1/10W	
	C 375	QEKJ1AM-107Z	E CAPACITOR	100MF 20% 10V			R 214	NRSA02J-272X	MG RESISTOR	2.7K 5% 1/10W	
	C 376	NCB21HK-103X	C CAPACITOR	.010MF 10% 50V			R 216	NRSA02J-102X	RES. C.M	1.0K 5% 1/10W	
	CN 31	QGF1205F1-06	CONNECTOR	PRI/HEAD			R 221	NRSA02J-102X	RES. C.M	1.0K 5% 1/10W	
	CN 32	QGB2011M1-10	PWB CONECTOR	PRI/MECHA			R 301	NRS181J-221X	MG RESISTOR	220 5% 1/8W	
	CN 33	QGF1205F1-09	CONNECTOR	PRI/MICON			R 303	NRSA02J-393X	MG RESISTOR	39K 5% 1/10W	
	CN 34	QGF1205F1-10	CONNECTOR	PRI/AMP			R 304	NRS181J-101X	MG RESISTOR	100 5% 1/8W	
	D 301	MA152WA-X	DIODE				R 305	NRSA02J-222X	MG RESISTOR	2.2K 5% 1/10W	
	D 309	MA704A-X	S.K.DIODE				R 306	NRSA02J-222X	MG RESISTOR	2.2K 5% 1/10W	
	D 375	MA3051/M/-X	ZENER DIODE				R 310	NRS181J-560X	MG RESISTOR	56 5% 1/8W	
	FW 31	QUM024-06A2Z3	EF FLAT				R 311	NRS181J-560X	MG RESISTOR	56 5% 1/8W	
	IC 31	BA3126N	IC	HEAD SW			R 313	NRSA02J-3R3NY	RES. C.M	3.3 5% 1/10W	
	IC 32	AN7317	IC	PB&REC			R 314	NRSA02J-223X	RES. C.M	22K 5% 1/10W	

■ Electrical parts list(Head AMP. board)

Block No. 04

△	Item	Parts number	Parts name	Remarks	Area
	R 315	NRSA02J-100X	MG RESISTOR	10 5% 1/10W	
	R 316	NRSA02J-223X	RES. C.M	22K 5% 1/10W	
	R 317	NRSA02J-100X	MG RESISTOR	10 5% 1/10W	
	R 319	NRSA02J-152X	MG RESISTOR	1.5K 5% 1/10W	
	R 322	NRSA02J-152X	MG RESISTOR	1.5K 5% 1/10W	
	R 327	NRSA02J-474X	MG RESISTOR	470K 5% 1/10W	
	R 332	NRSA02J-123X	RES. C.M	12K 5% 1/10W	
	R 333	NRSA02J-123X	RES. C.M	12K 5% 1/10W	
	R 335	NRSA02J-152X	MG RESISTOR	1.5K 5% 1/10W	
	R 336	NRSA02J-472X	RES. C.M	4.7K 5% 1/10W	
	R 337	NRSA02J-332X	MG RESISTOR	3.3K 5% 1/10W	
	R 338	NRSA02J-392X	MG RESISTOR	3.9K 5% 1/10W	
	R 339	NRSA02J-222X	MG RESISTOR	2.2K 5% 1/10W	
	R 340	NRS181J-391X	MG RESISTOR	390 5% 1/8W	
	R 341	NRSA02J-123X	RES. C.M	12K 5% 1/10W	
	R 342	NRSA02J-203X	MG RESISTOR	20K 5% 1/10W	
	R 343	NRSA02J-183X	MG RESISTOR	18K 5% 1/10W	
	R 351	NRSA02J-683X	MG RESISTOR	68K 5% 1/10W	
	R 352	NRSA02J-912X	RES. C.M	9.1K 5% 1/10W	
	R 371	NRSA02J-123X	RES. C.M	12K 5% 1/10W	
	R 372	NRSA02J-102X	RES. C.M	1.0K 5% 1/10W	
	R 375	NRSA02J-151X	MG RESISTOR	150 5% 1/10W	
	R 376	NRSA02J-472X	RES. C.M	4.7K 5% 1/10W	
	VR 31	QVP0008-503Z	SEMI V RESISTOR	BIAS ADJ	
	VR 32	QVP0008-503Z	SEMI V RESISTOR	BIAS ADJ	
	VR 37	QVP0008-103Z	SEMI V RESISTOR	TAPE SPEED ADJ	

-MEMO-

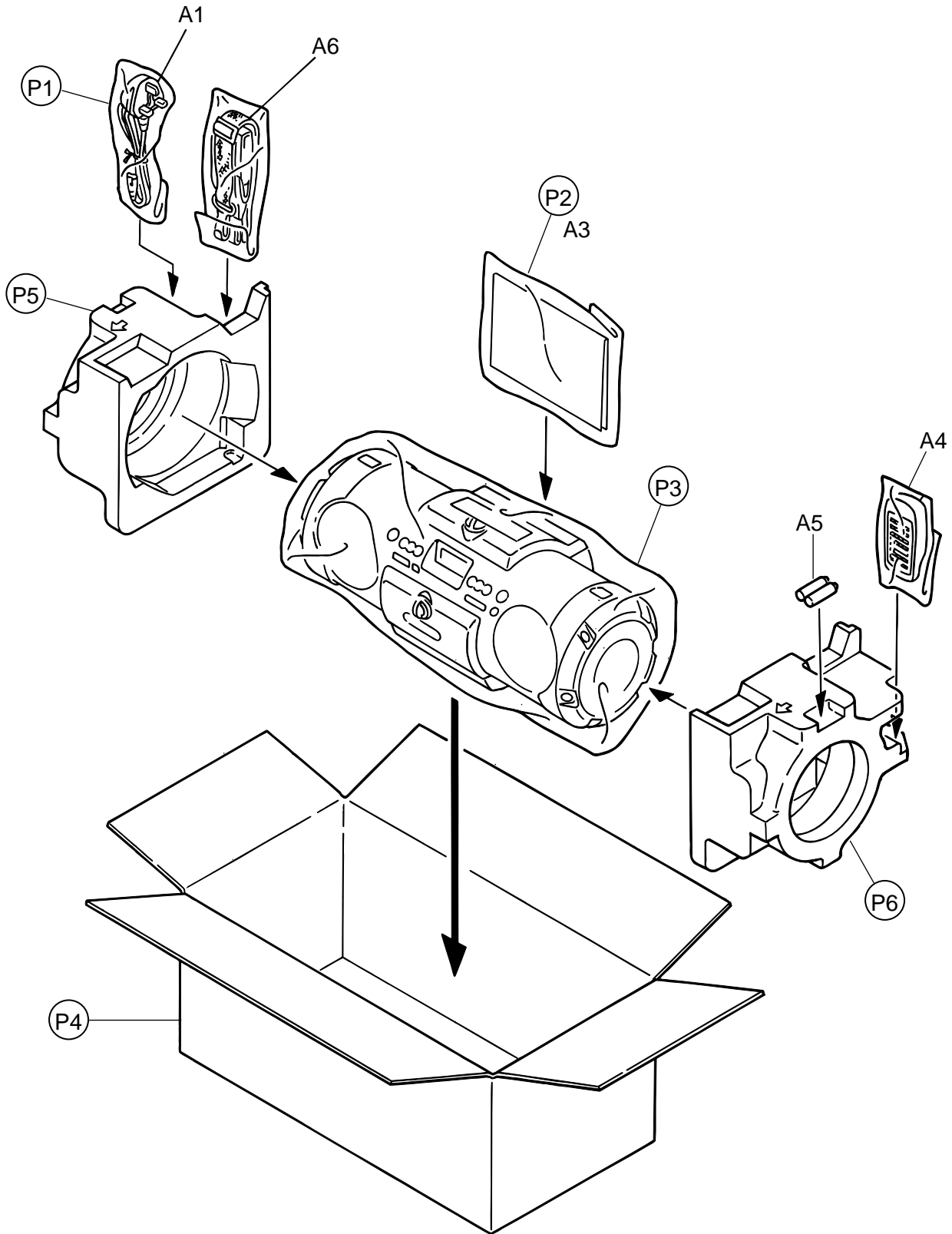
Packing materials and accessories parts list

Block No.

M	4	M	M
---	---	---	---

Block No.

M	5	M	M
---	---	---	---



Parts list(Packing)

Block No. M4MM

△	Item	Parts number	Parts name	Q'ty	Description	Area
	P 1	QPA01202505	POLY BAG	1	FOR POWER CORD	
	P 2	QPA02503503P	POLY BAG	1	FOR INST	
	P 3	QPC09006015P	POLY BAG	1	FOR SET	
	P 4	LV32002-002A	CARTON	1		
	P 5	LV10169-002A	BOTTOM(L)	1		
	P 6	LV10169-003A	BOTTOM(R)	1		

Parts list(Accsseories)

Block No. M5MM

△	Item	Parts number	Parts name	Q'ty	Description	Area
△	A 1	QMPS050-183-JC	POWER CORD	1		
	A 3	LVT0492-008B	INST BOOK	1	ENG SPA CHI	
	A 4	RM-RXVB55E	REMO-CON UNIT	1	RM-RXVB55	
	A 5	-----	BATTERY	2	REMO-CON	
	A 6	LV32051-002A	SHULDER BELT	1	BLUE JVC	